

PARTS CATALOGUE



SM12

YZF155D-A (BJA2) MALAYSIA



1YBJA-440E1

()

YZF155D-A
PARTS CATALOGUE
©2022 by Yamaha Motor Co., Ltd.
1st edition, June 2022
All rights reserved.
Any reprinting or unauthorized use
without the written permission of
Yamaha Motor Co., Ltd.
is expressly prohibited.
Printed in Japan.

FOREWORD

This Parts Catalogue is related to the parts for the model(s) on the cover page. When you are ordering replacement parts, please refer to this Parts Catalogue and quote both part numbers and part names correctly.

1. Modifications or additions which have been made after the issue of the Parts Catalogue will be announced in the Parts News.
It is advisable that you make the necessary corrections to the Parts Catalogue according to the Parts News.
2. Abbreviations
The following abbreviations are used in this Parts Catalogue.
“UR” Use specified parts number.
“UN” Use as many as needed.
“AP” Alternate Parts
“LM” Locally Made (Parts need to be ordered locally)
“F#” Frame No. (Applicable machine No.)
“O/S” Over Size
3. The number of components for assembly
 - Parts, which are to be supplied in an assembly, are listed with a dot (.) in front of the part name as shown below.
 - The numeral appearing to the right of each component part indicates the quantity of parts for each assembly unit.

PART NO.	DESCRIPTION	Q'TY	REMARKS
2F5-83310-60	FRONT FLASHER LIGHT ASSY	2	
115-83311-60	.BULB (6V-18W)	1	

4. Applicable colours of graphics are represented in the “REMARKS” as shown below.

PART NO.	DESCRIPTION	Q'TY	REMARKS
2N4-24110-00-X5	FUEL TANK COMP.	2	MXR
3J1-24240-10	.GRAPHIC, FUEL TANK	1	FOR MXR

5. Note that the illustrations for reference in finding parts numbers are not to be used for assembling. When assembling, please use the applicable service manual.

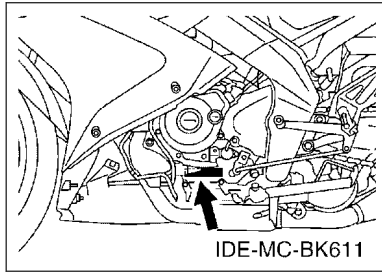
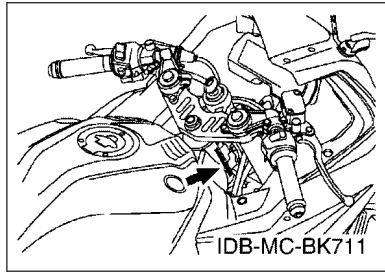
6. The asterisk (*) before a reference number indicates modified items after the first edition.

FOREWORD

7. Applicable Serial No.

Frame Serial No.

Engine Serial No.



8. Applicable Colour Code (The (*) mark shows Model colour.)

Abbreviation	Colour Name	Colour Code
DPBMC	DEEP PURPLISH BLUE METALLIC C	0564
SM12(*)	BLACK METALLIC 12	1723
YB	YAMAHA BLACK	0033

9. Applicable Starting Serial No.

Frame Serial No.

Serial No.	Name Of Q'ty Column	Model Code

Engine Serial No.

Serial No.	Name Of Q'ty Column	Model Code

CONTENTS

ENGINE

CYLINDER HEAD.....	1
CRANKSHAFT & PISTON.....	2
VALVE.....	4
CAMSHAFT & CHAIN.....	5
WATER PUMP.....	6
RADIATOR & HOSE.....	7
OIL PUMP.....	8
INTAKE.....	9
EXHAUST.....	11
CRANKCASE.....	12
CRANKCASE COVER 1.....	13
STARTER CLUTCH.....	14
CLUTCH.....	15
TRANSMISSION.....	17
SHIFT CAM & FORK.....	19
SHIFT SHAFT.....	20

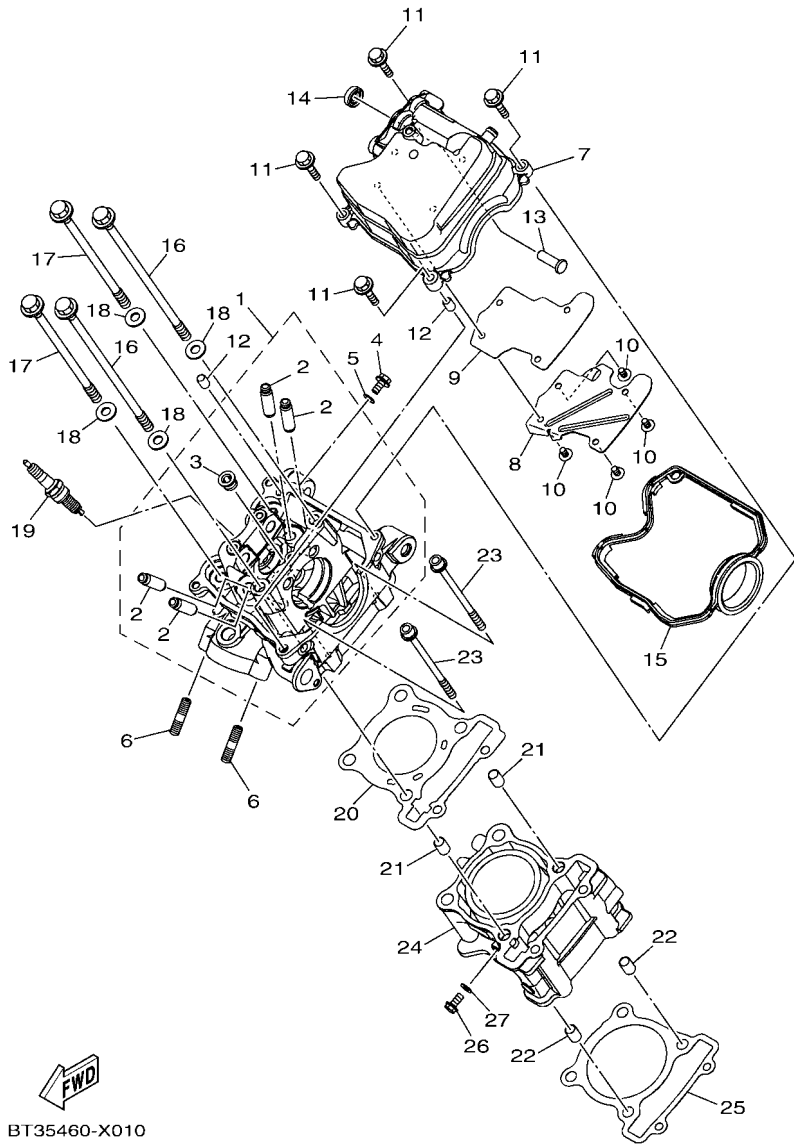
CHASSIS

FRAME.....	21
FENDER.....	22
SIDE COVER.....	24
REAR ARM & SUSPENSION.....	26
STEERING.....	27
FRONT FORK.....	28
FUEL TANK.....	30
SEAT.....	33
FRONT WHEEL.....	34
FRONT BRAKE CALIPER.....	35
REAR WHEEL.....	36
REAR BRAKE CALIPER.....	37
STEERING HANDLE & CABLE.....	38
FRONT MASTER CYLINDER.....	39
STAND & FOOTREST.....	40
REAR MASTER CYLINDER.....	42
LEG SHIELD.....	44
WINDSHIELD.....	46
GENERATOR.....	49
STARTING MOTOR.....	50
FLASHER LIGHT.....	51

METER.....	53
HEADLIGHT.....	54
TAILLIGHT.....	55
HANDLE SWITCH & LEVER.....	56
ELECTRICAL 1.....	57
ELECTRICAL 2.....	58
ELECTRICAL 3.....	60

INDEX

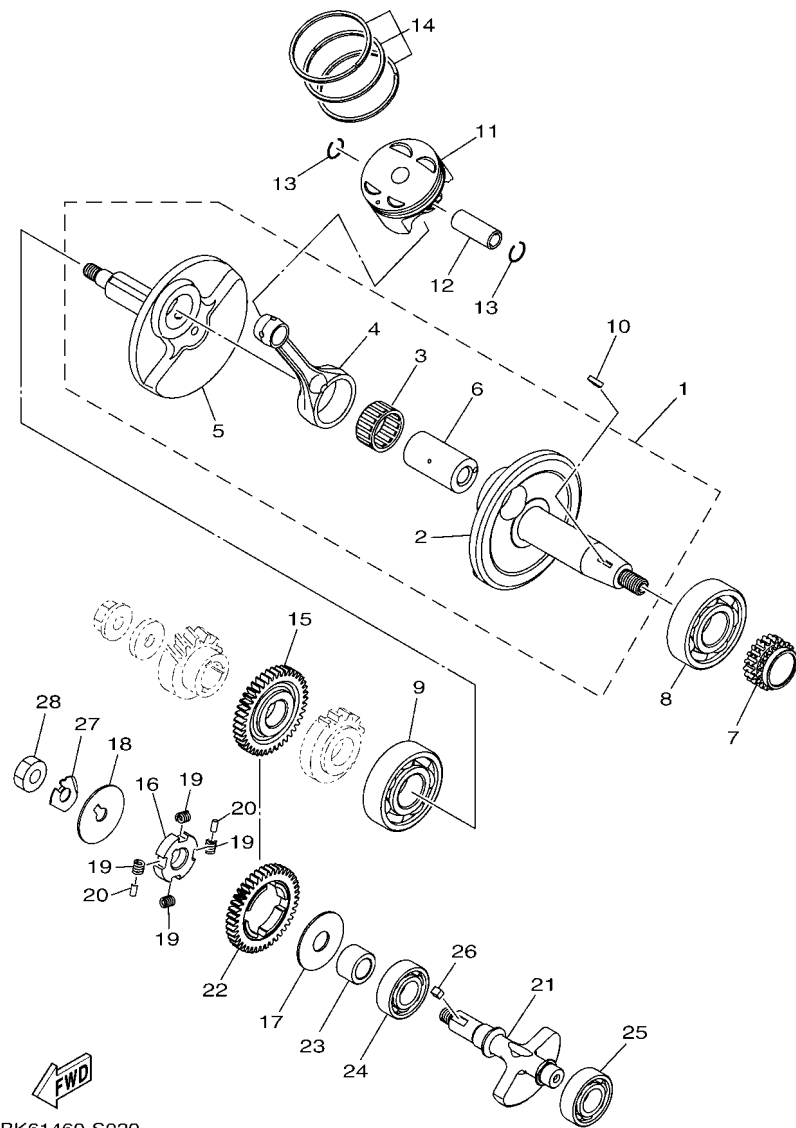
NUMERICAL INDEX.....	61
----------------------	----



BT35460-X010

FIG. 1 CYLINDER HEAD

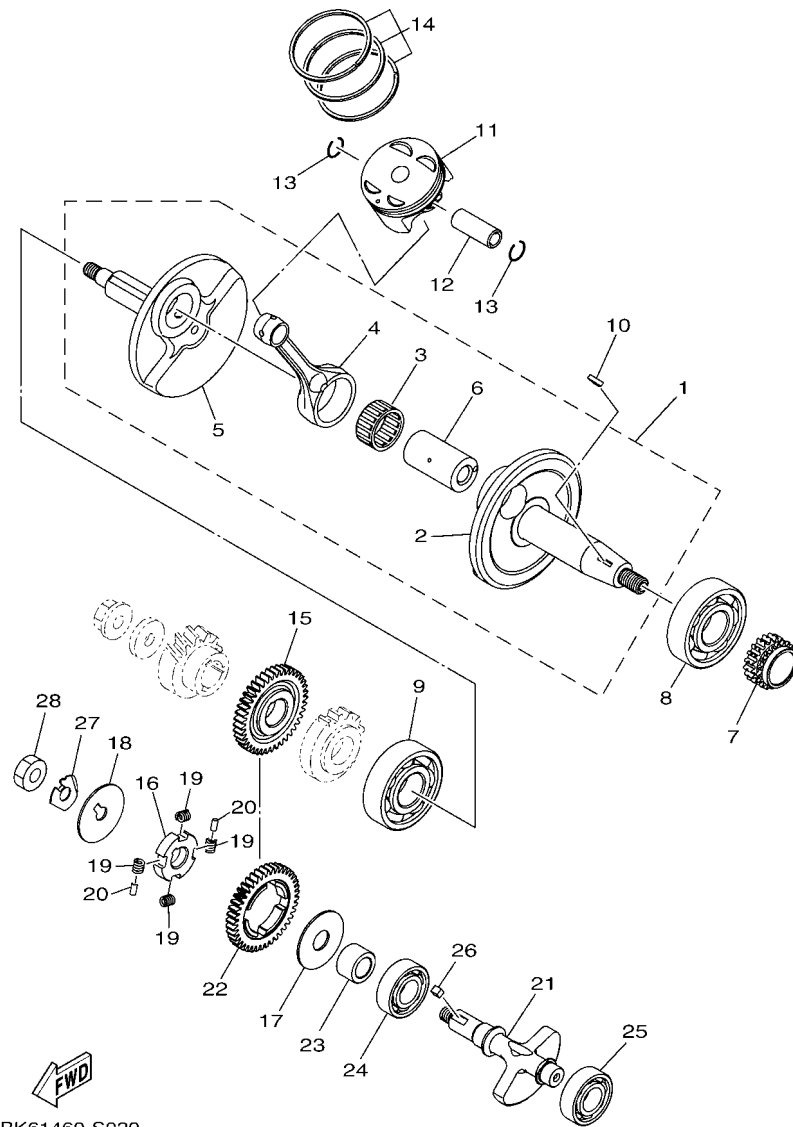
REF. NO.	PART NO.	DESCRIPTION	BUA2				REMARKS
1	B3M-E1102-00	CYLINDER HEAD ASSY	1				
2	2DP-E1133-10	.GUIDE, VALVE 1	4				
3	90340-12813	.PLUG, STRAIGHT SCREW	1				
4	95E32-06010	BOLT, FLANGE DEEP RECESS	1				
5	90430-06803	GASKET	1				
6	95612-08618	BOLT, STUD	2				
7	BK6-E1191-00	COVER, CYLINDER HEAD 1	1				
8	B3M-E1165-00	PLATE, BREATHER	1				
9	2DP-E1169-00	GASKET, BREATHER COVER	1				
10	90149-05801	SCREW	4				
11	95E32-06030	BOLT, FLANGE DEEP RECESS	4				
12	99530-08012	PIN, DOWEL	2				
13	BK6-E132G-00	ROD 1	1				
14	93102-08800	OIL SEAL	1				
15	B3F-E1193-00	GASKET, HEAD COVER 1	1				
16	90105-088J0	BOLT, FLANGE	2				
17	90105-088H9	BOLT, FLANGE	2				
18	90201-08859	WASHER, PLATE	4				
19	94700-00439	PLUG, SPARK (NGK MR8E-9)	1				
20	2DP-E1181-00	GASKET, CYLINDER HEAD 1	1				
21	99530-10114	PIN, DOWEL	2				
22	99530-10114	PIN, DOWEL	2				
23	90110-06894	BOLT, HEXAGON SOCKET HEAD	2				
24	2DP-E1311-10	CYLINDER 1	1				
25	BK6-E1351-00	GASKET, CYLINDER	1				
26	95E32-06010	BOLT, FLANGE DEEP RECESS	1				
27	90430-06803	GASKET	1				



BK61460-S020

FIG. 2 CRANKSHAFT & PISTON

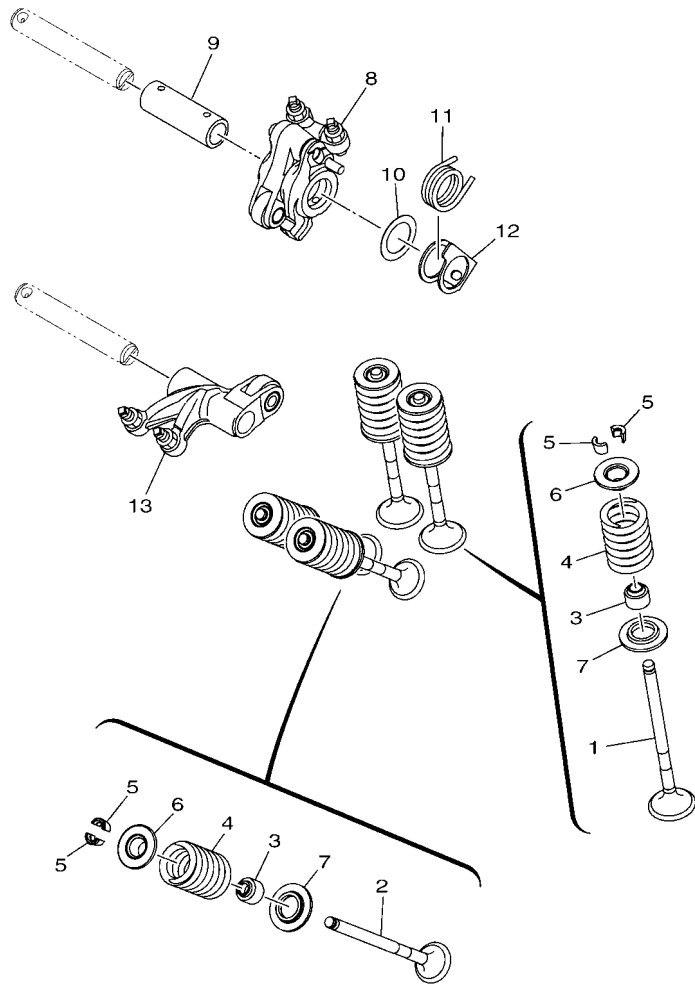
REF. NO.	PART NO.	DESCRIPTION	BUA2				REMARKS
1	BDJ-E1400-00	CRANKSHAFT ASSY	1				
2	BDJ-E1412-00	.CRANK 1	1				
3	93310-526YT	.BEARING	1				
4	BK6-E1651-00	.ROD, CONNECTING	1				
5	BDJ-E1422-00	.CRANK 2	1				
6	BK6-E1681-00	.PIN, CRANK 1	1				
7	BK7-E1549-00	SPROCKET, CAM CHAIN	1				
8	93306-305X7	BEARING	1				
9	93306-305XV	BEARING	1				
10	90280-03017	KEY, WOODRUFF	1				
11	BK6-E1631-00	PISTON (STD)	1				
12	2DP-E1633-00	PIN, PISTON	1				
13	93450-16115	CIRCLIP	2				
14	BK6-E1603-00	PISTON RING SET (STD)	1				
15	BK6-E1536-00	GEAR, DRIVE	1				
16	21C-E1496-20	BOSS, BUFFER	1				
17	90201-15821	WASHER, PLATE	1				
18	90214-10800	WASHER, CLAW	1				
19	90501-16800	SPRING, COMPRESSION	4				
20	93604-08071	PIN, DOWEL	2				
21	BK7-E1454-00	WEIGHT 1	1				
22	BK6-E1531-10	GEAR, BALANCE WEIGHT	1				
23	90387-15810	COLLAR	1				
24	93306-203XK	BEARING	1				
25	93306-203XK	BEARING	1				
26	90282-05031	KEY, STRAIGHT	1				
27	90215-10803	WASHER, LOCK	1				



BK61460-S020

FIG. 2 CRANKSHAFT & PISTON

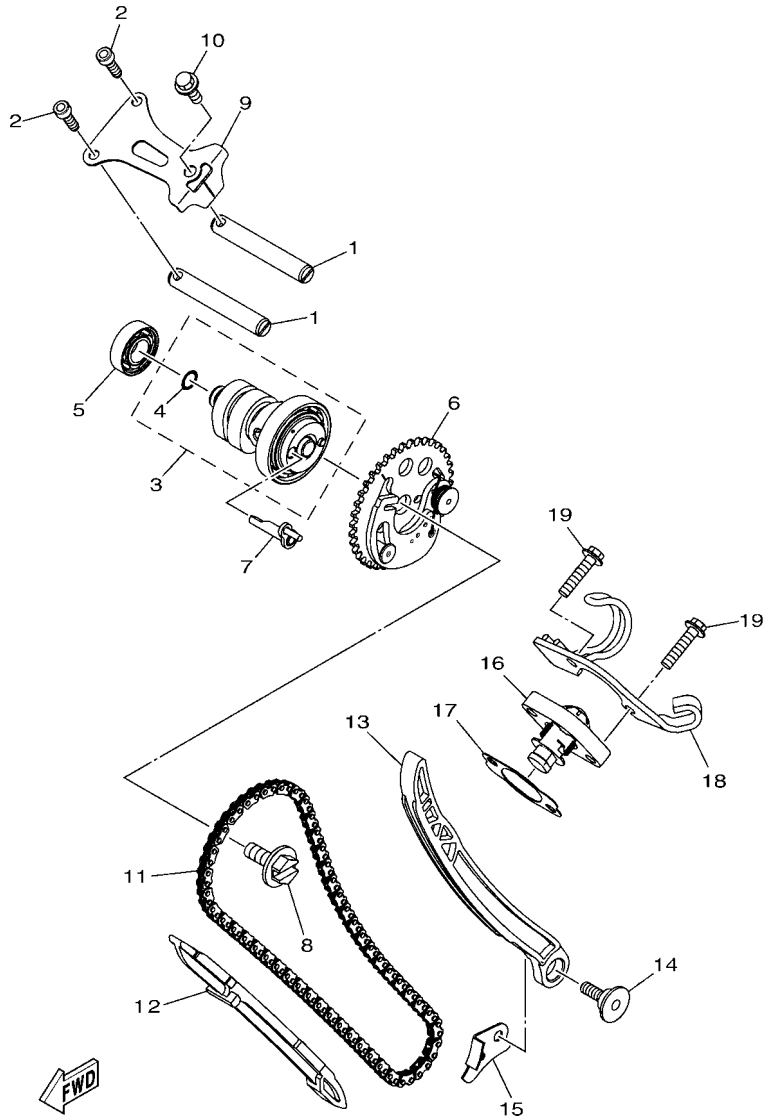
REF. NO.	PART NO.	DESCRIPTION	BJA2			REMARKS
28	90170-10012	NUT	1			
<hr/>						
<hr/>						
<hr/>						
<hr/>						
<hr/>						
<hr/>						
<hr/>						
<hr/>						



BT31460-T030

FIG. 3 VALVE

REF. NO.	PART NO.	DESCRIPTION	BJA2				REMARKS
1	BK6-E2111-00	VALVE, INTAKE	2				
2	B3M-E2121-00	VALVE, EXHAUST	2				
3	54P-E2119-00	SEAL, VALVE STEM	4				
4	B63-E2113-00	SPRING, VALVE INNER	4				
5	5TL-E2118-00	LOCK, VALVE SPRING RETAINER	8				
6	2DP-E2117-00	RETAINER, VALVE SPRING	4				
7	50C-E2126-00	SEAT, VALVE SPRING 2	4				
8	BK6-E2150-00	VALVE ROCKER ARM ASSY	1				
9	BK6-E2166-00	SHAFT, ROCKER 3	1				
10	BK6-E1557-00	WASHER 1	1				
11	BK6-E2226-00	SPRING, COIL	1				
12	BK7-E2279-00	PLATE	1				UR
	BK6-E2279-00	PLATE	1				UR
13	B5V-E2160-01	VALVE ROCKER ARM ASSY 2	1				

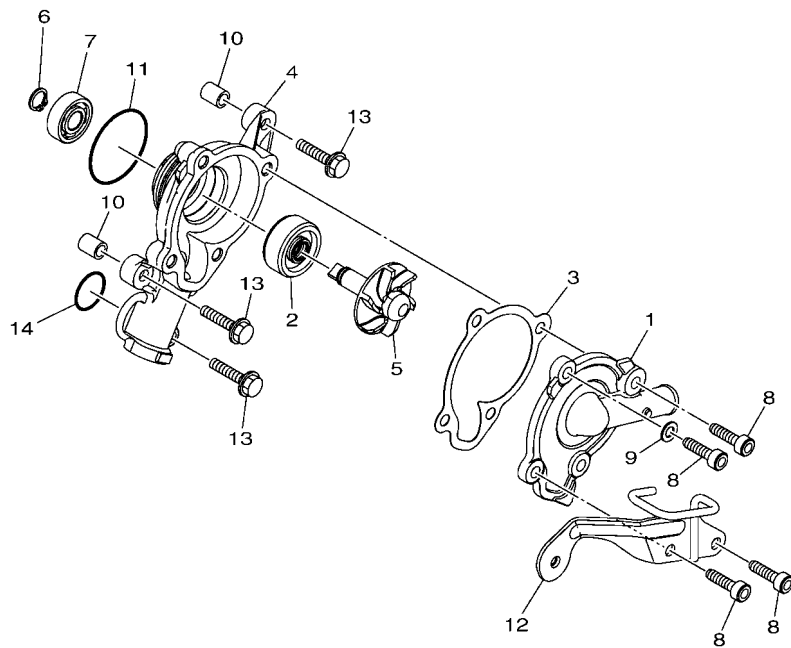


BT35460-X040

FIG. 4 CAMSHAFT & CHAIN

REF. NO.	PART NO.	DESCRIPTION	BJA2					REMARKS
1	B65-E2156-00	SHAFT, ROCKER 2	2					
2	91312-05016	BOLT, HEXAGON SOCKET HEAD	2					
3	B3M-E2170-00	CAMSHAFT ASSY 1	1					
4	93210-09806	.O-RING	1					
5	93306-001YJ	BEARING	1					
6	B3M-E2280-00	DECOMPRESSION ASSY	1					
7	B6H-E2288-01	CAM, DECOMPRESSION	1					
8	B63-E2157-00	BOLT	1					
9	2DP-E111F-00	PLATE	1					
10	95E32-06014	BOLT, FLANGE DEEP RECESS	1					
11	94568-J9096	CHAIN	1					
12	B65-E2231-00	GUIDE, STOPPER 1	1					
13	BK6-E2241-00	GUIDE, STOPPER 2	1					
14	54P-E2228-00	BOLT	1					
15	BK6-E2256-00	COVER, CHAIN	1					
16	2PV-E2210-01	TENSIONER ASSY, CAM CHAIN	1					
17	BK6-E2213-00	GASKET, TENSIONER CASE	1					
18	BK6-E5441-00	HOLDER, CLUTCH CABLE	1					
19	95E32-06025	BOLT, FLANGE DEEP RECESS	2					

FIG. 5 WATER PUMP

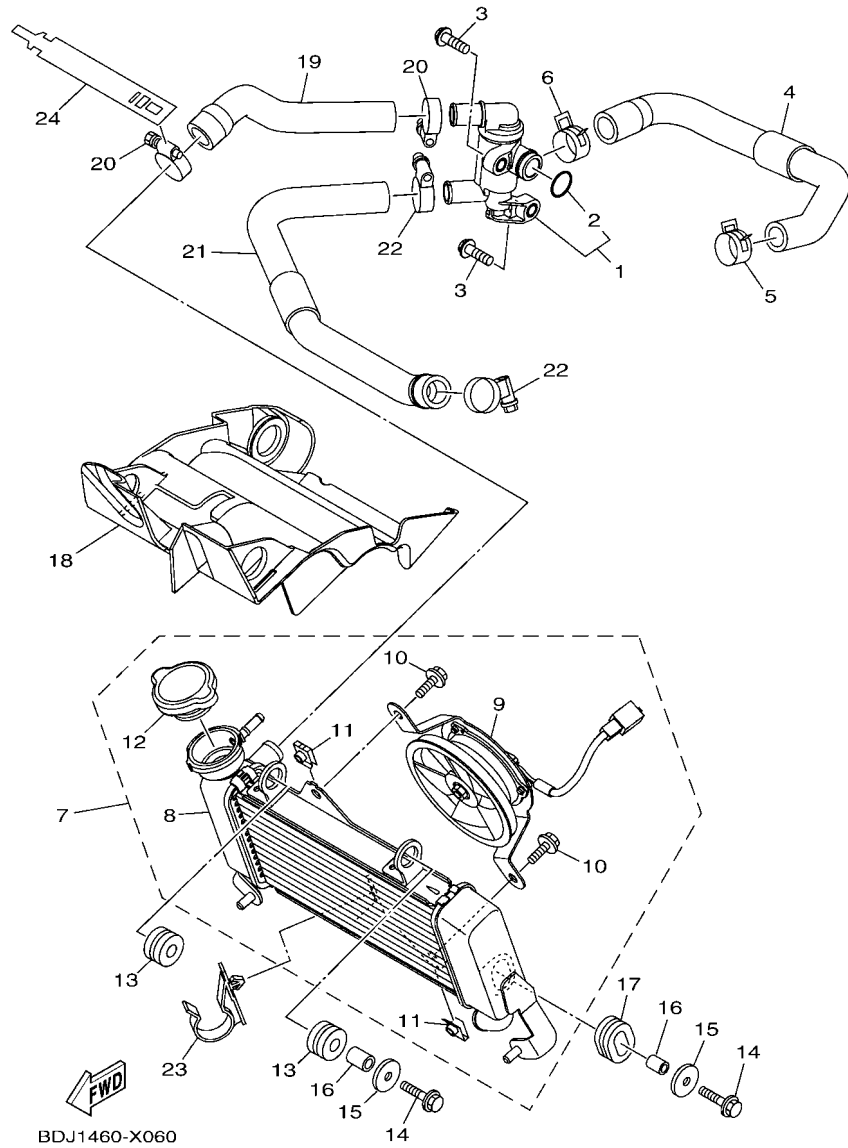


REF. NO.	PART NO.	DESCRIPTION	BUA2				REMARKS
1	BK7-E2422-00	COVER, HOUSING	1				
2	93103-10801	OIL SEAL	1				
3	2DP-E2428-00	GASKET, HOUSING COVER 2	1				
4	BK7-E1185-00	COVER, CYLINDER HEAD SIDE 3	1				
5	BK7-E2450-00	IMPELLER SHAFT ASSY	1				
6	BK7-E2842-00	CIRCLIP	1				
7	93306-000Y3	BEARING	1				
8	BK7-E2615-00	BOLT	4				
9	BK7-E2435-00	GASKET	1				
10	BK7-E3516-00	PIN, DOWEL	2				
11	93210-39803	O-RING	1				
12	BK7-E2443-00	STAY	1				
13	95E32-06025	BOLT, FLANGE DEEP RECESS	3				
14	93210-19809	O-RING	1				

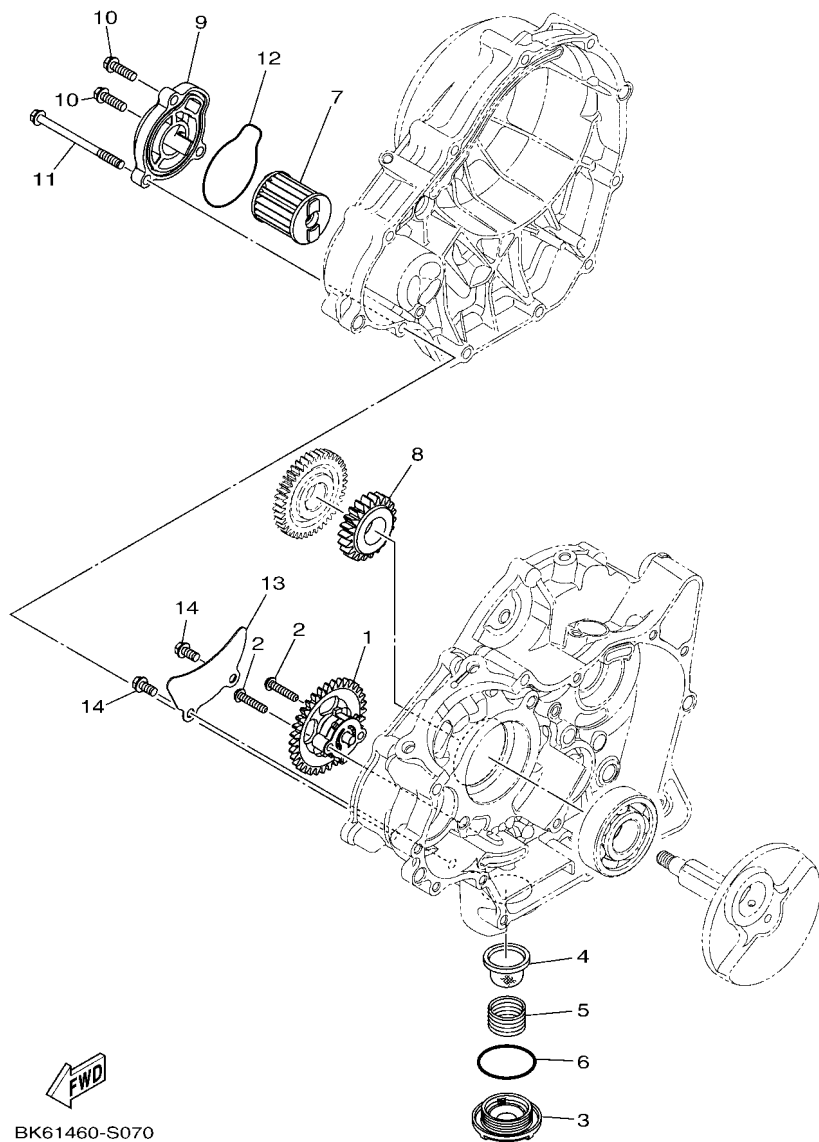


B0T1470-V050

FIG. 6 RADIATOR & HOSE



REF. NO.	PART NO.	DESCRIPTION	BUA2				REMARKS
1	BK6-E2410-00	THERMOSTAT ASSY	1				
2	52S-12439-00	.O-RING	1				
3	95E32-06020	BOLT, FLANGE DEEP RECESS	2				
4	BK6-E2483-00	PIPE 3	1				
5	90467-19803	CLIP	1				
6	90467-20806	CLIP	1				
7	BK6-E2460-01	RADIATOR ASSY	1				
8	BK6-E2461-00	.RADIATOR COMP	1				
9	BK6-E2405-00	.BLOWER ASSY	1				
10	5YP-E2675-00	.BOLT, BLOWER HOLDING	2				
11	5YP-E2671-00	.NUT 1	2				
12	5P0-E2590-00	.CONDUCTION ASSY	1				
13	90480-15363	GROMMET	2				
14	95D32-06025	BOLT, FLANGE DEEP RECESS	2				
15	90201-06880	WASHER, PLATE	2				
16	90387-064W3	COLLAR	2				
17	90480-01803	GROMMET	1				
18	BDJ-E2467-00	COVER, RADIATOR	1				
19	BK6-E2481-00	PIPE 1	1				
20	90450-27806	HOSE CLAMP ASSY	2				
21	BK6-E2482-00	PIPE 2	1				
22	90450-27806	HOSE CLAMP ASSY	2				
23	3C1-F1338-00	CLAMP	1				
24	BDJ-E246E-00	COVER 2	1				



BK61460-S070

FIG. 7 OIL PUMP

REF. NO.	PART NO.	DESCRIPTION	BUA2				REMARKS
1	BK6-E3300-00	OIL PUMP ASSY	1				
2	90111-05822	BOLT,HEX. SOCKET BUTTON	2				
3	1S7-E5351-00	PLUG, DRAIN	1				
4	38B-E3411-00	STRAINER, OIL	1				
5	90501-18576	SPRING, COMPRESSION	1				
6	93210-34802	O-RING	1				
7	38B-E3440-01	ELEMENT ASSY, OIL CLEANER	1				
8	2PV-E3324-00	GEAR, PUMP DRIVE	1				
9	2PK-E3447-00	COVER, OIL ELEMENT	1				
10	95E32-06020	BOLT, FLANGE DEEP RECESS	2				
11	95E32-06080	BOLT, FLANGE DEEP RECESS	1				
12	93210-54805	O-RING	1				
13	3C1-E3327-00	COVER, PUMP GEAR	1				
14	95E32-06012	BOLT, FLANGE DEEP RECESS	2				

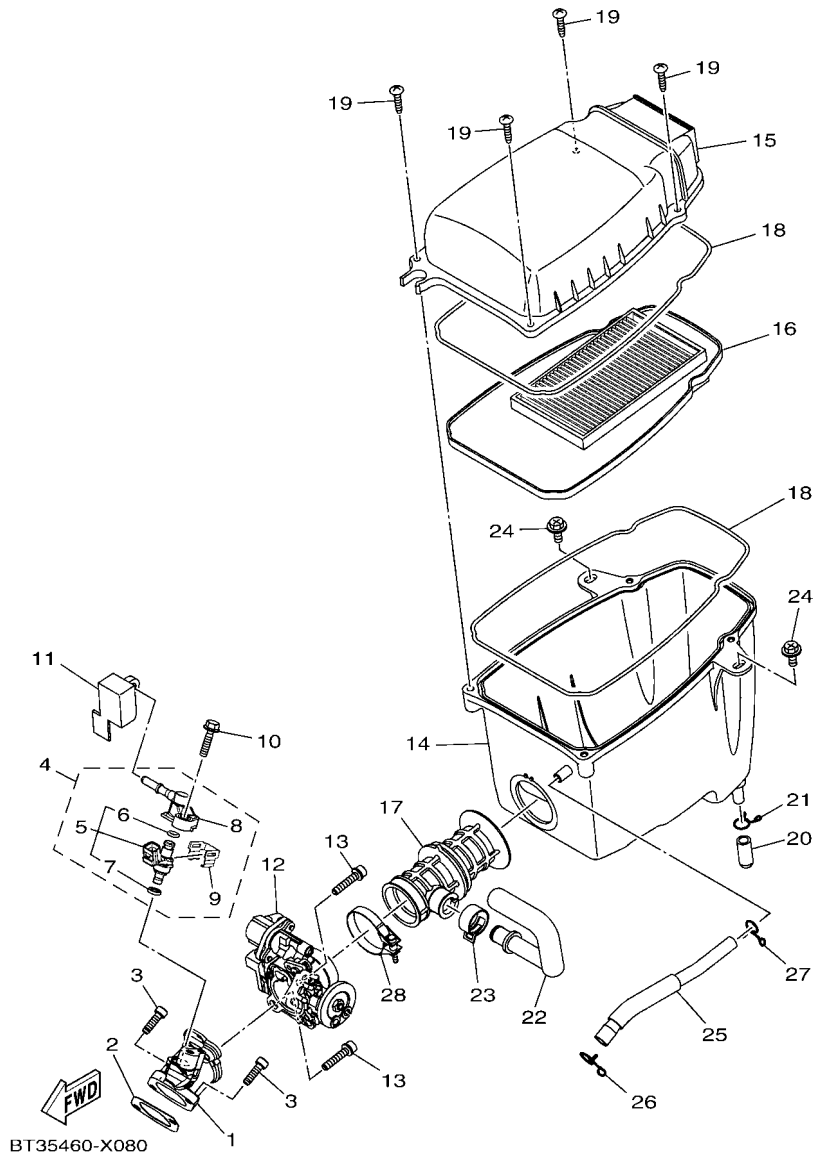


FIG. 8 INTAKE

REF. NO.	PART NO.	DESCRIPTION	BUA2				REMARKS
1	BDJ-E3585-00	MANIFOLD	1				
2	BK6-E4199-00	GASKET	1				
3	91332-06020	BOLT	2				
4	BDJ-E3770-00	INJECTOR ASSY	1				
5	BDJ-E3761-00	.INJECTOR	1				
6	2SU-E4147-00	.O-RING	1				
7	2SU-E41A1-00	..SEAL RING	1				
8	B7J-E3938-10	.PIPE	1				
9	1ST-E4137-00	.CLIP	1				
10	95812-06025	BOLT, FLANGE	1				
11	BDJ-E3767-00	CAP, INJECTOR	1				
12	BK6-E3750-00	THROTTLE BODY ASSY	1				
13	90110-06846	BOLT, HEXAGON SOCKET HEAD	2				
14	BK6-E4411-01	CASE, AIR CLEANER 1	1				
15	BDJ-E4412-00	CAP, CLEANER CASE 1	1				
16	B5G-E4450-00	ELEMENT ASSY, AIR CLEANER	1				
17	BK6-E4453-00	JOINT, AIR CLEANER 1	1				
18	BK6-E4452-00	SEAL	2				
19	97707-50025	SCREW, TAPPING	4				
20	5TL-E443E-00	PIPE, DRAIN	1				
21	90467-12800	CLIP	1				
22	BK6-E441J-00	PIPE, SILENCER	1				
23	90467-20804	CLIP	1				
24	90119-06051	BOLT, WITH WASHER	2				
25	BK7-E1166-00	PIPE, BREATHER 1	1				
26	90467-12052	CLIP	1				
27	90467-11825	CLIP	1				

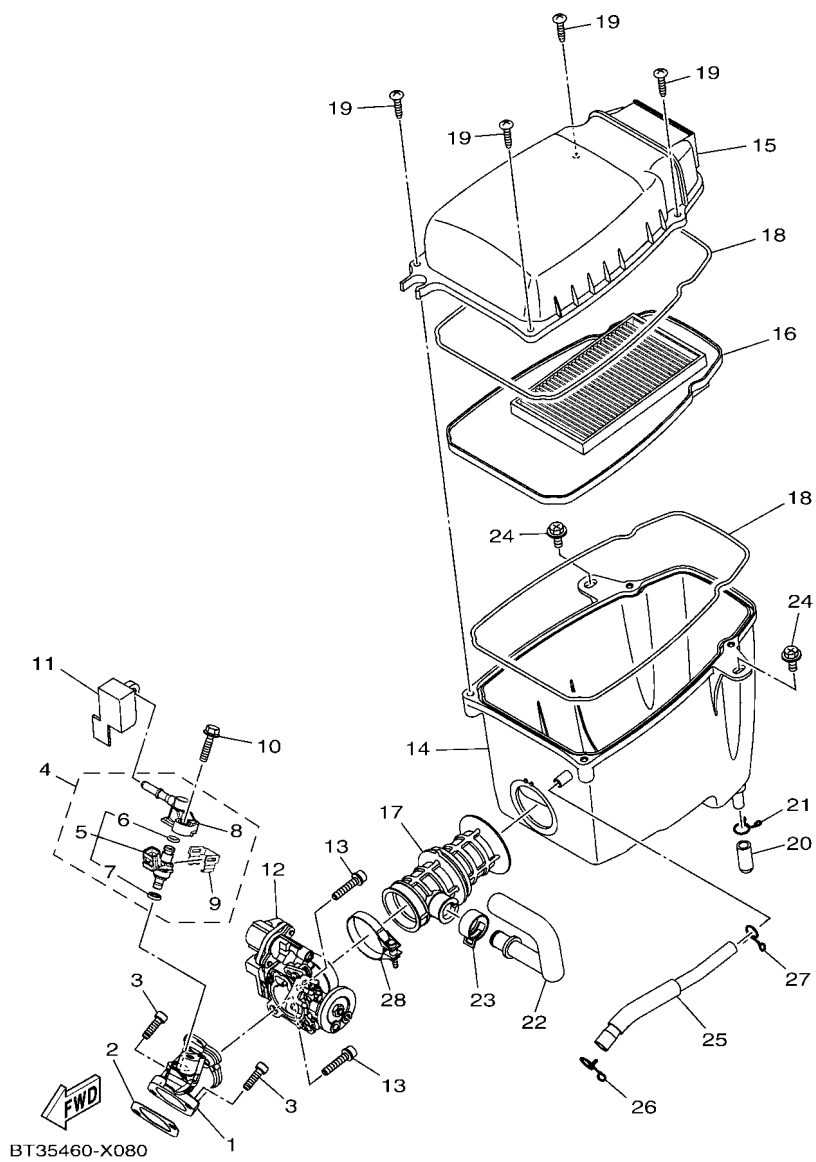
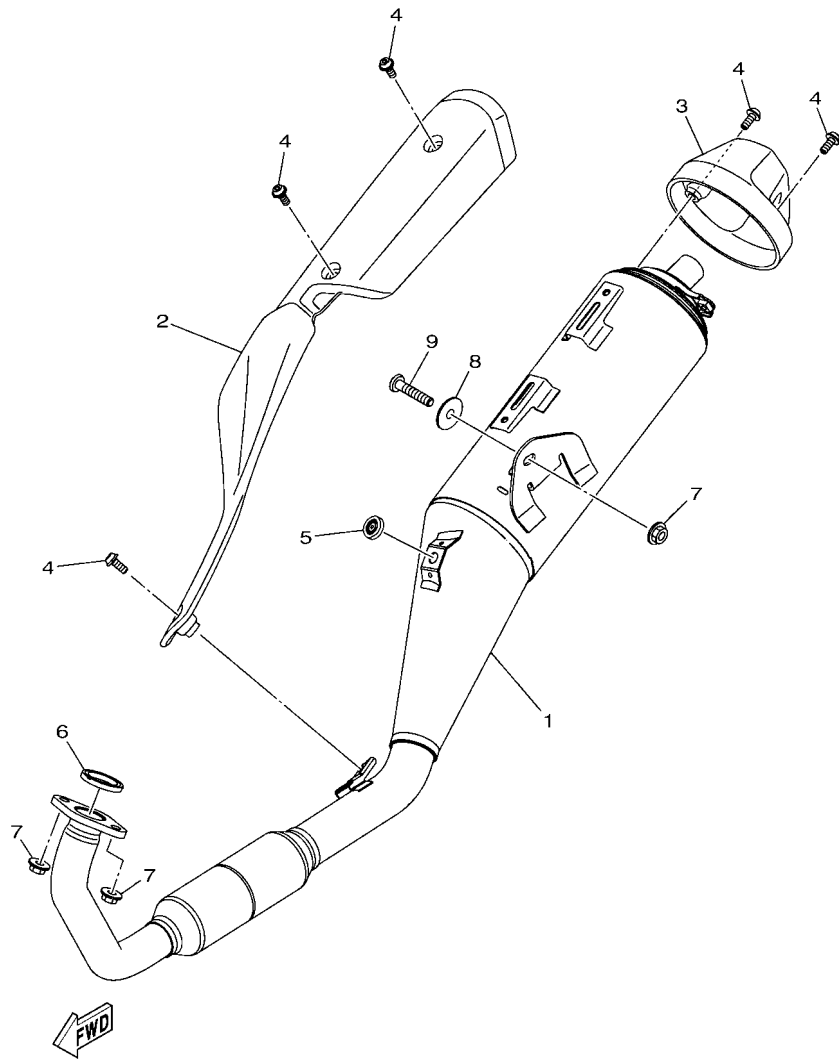


FIG. 8 INTAKE

REF. NO.	PART NO.	DESCRIPTION	BJA2			REMARKS
28	90450-43805	HOSE CLAMP ASSY	1			

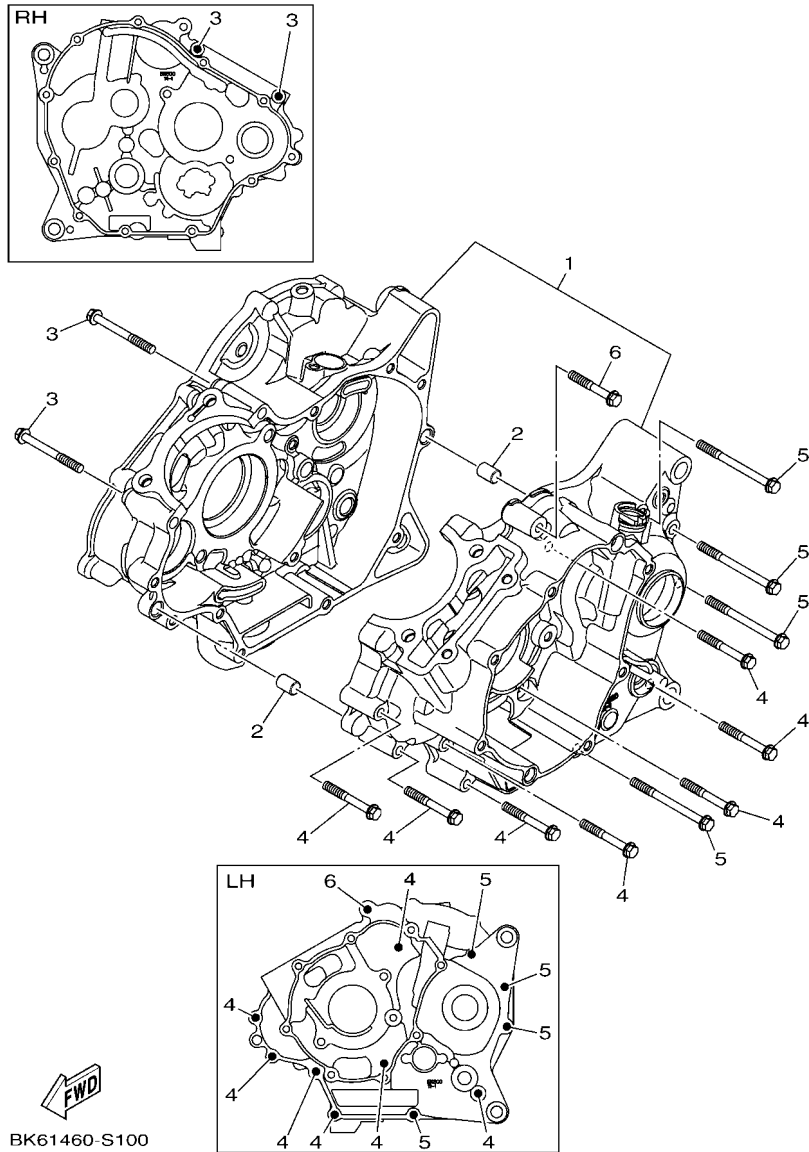
FIG. 9 EXHAUST



BDJ1460-X090

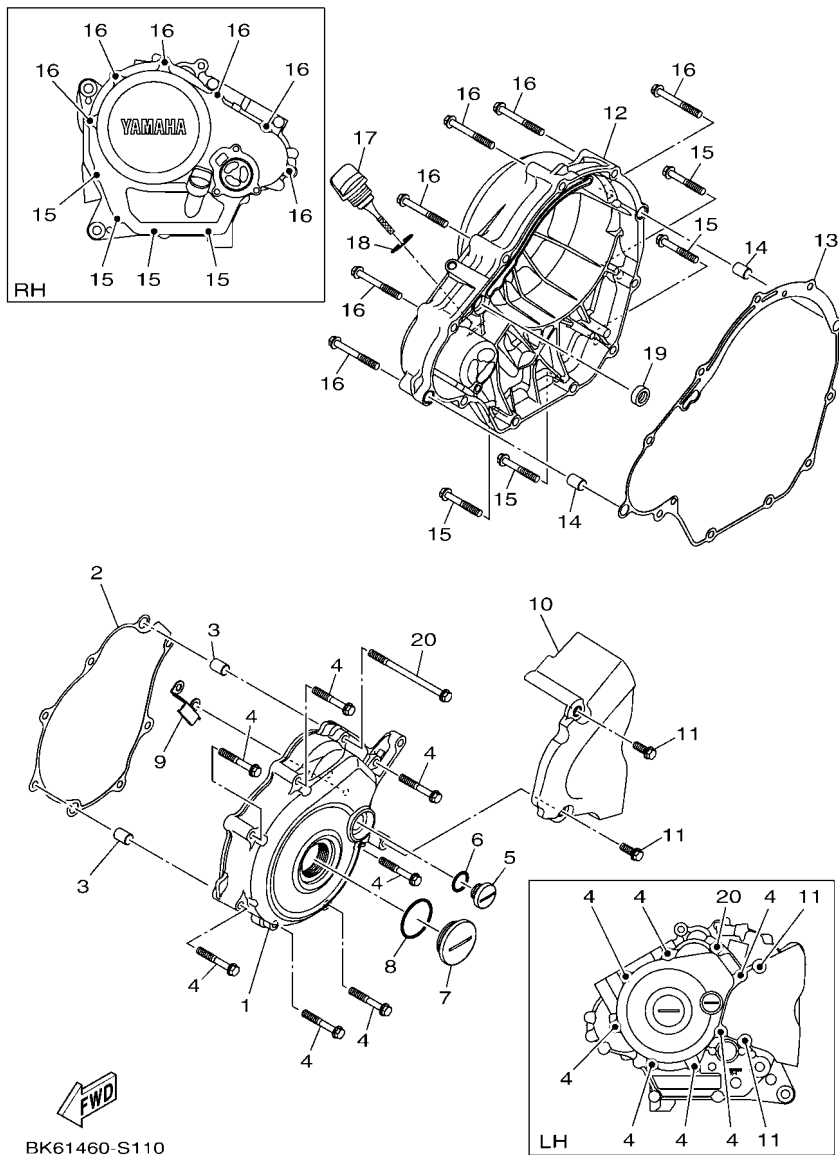
REF. NO.	PART NO.	DESCRIPTION	BJA2				REMARKS
1	BNC-E4703-00	MUFFLER COMP. 1	1				
2	BDJ-E4718-10	PROTECTOR, MUFFLER 1	1				
3	BDJ-E4799-00	CAP	1				
4	90111-06860	BOLT,HEX. SOCKET BUTTON	5				
5	2UP-E4757-00	DAMPER, MUFFLER 2	1				
6	BK7-E4613-00	GASKET, EXHAUST PIPE	1				
7	95702-08500	NUT, FLANGE	3				
8	90201-08612	WASHER, PLATE	1				
9	90149-08220	SCREW	1				

FIG. 10 CRANKCASE



BK61460-S100

REF. NO.	PART NO.	DESCRIPTION	BUA2		REMARKS
1	BK6-E5150-00	CRANKCASE ASSY	1		
2	99530-10114	PIN, DOWEL	2		
3	95E32-06055	BOLT, FLANGE DEEP RECESS	2		
4	95E32-06045	BOLT, FLANGE DEEP RECESS	7		
5	95E32-06070	BOLT, FLANGE DEEP RECESS	4		
6	95E32-06040	BOLT, FLANGE DEEP RECESS	1		

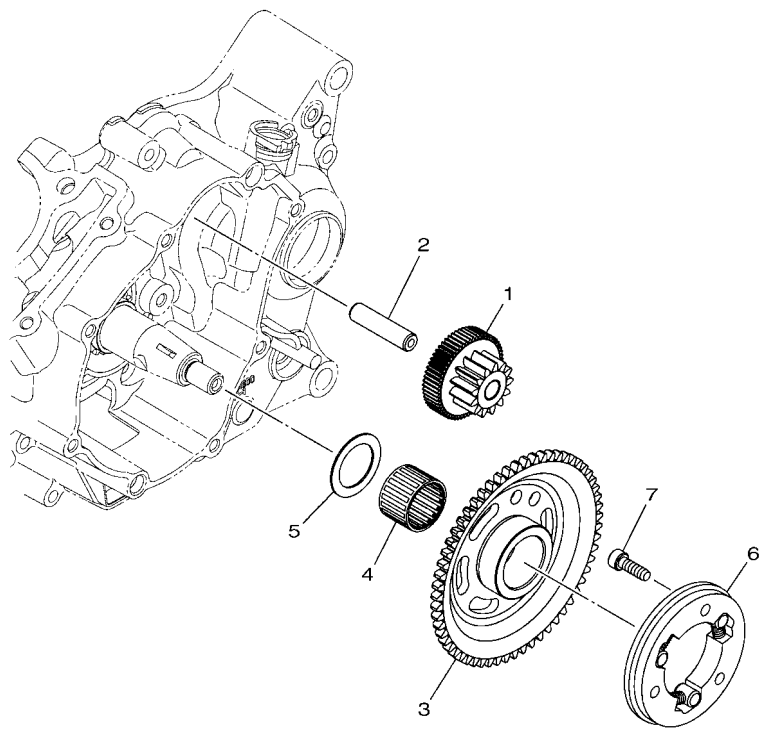


BK61460-S110

FIG. 11 CRANKCASE COVER 1

REF. NO.	PART NO.	DESCRIPTION	BUA2				REMARKS
1	BK6-E5411-00	COVER, CRANKCASE 1	1				
2	BK6-E5451-00	GASKET, CRANKCASE COVER 1	1				
3	99530-10114	PIN, DOWEL	2				
4	95E32-06040	BOLT, FLANGE DEEP RECESS	7				
5	90340-14824	PLUG, STRAIGHT SCREW	1				
6	93210-148F8	O-RING	1				
7	90340-32823	PLUG, STRAIGHT SCREW	1				
8	93210-32816	O-RING	1				
9	2PV-E5113-00	PLATE	1				
10	BK6-E5418-00	COVER, CHAIN CASE	1				
11	95E32-06016	BOLT, FLANGE DEEP RECESS	2				
12	BK6-E5421-00	COVER, CRANKCASE 2	1				
13	BK6-E5461-00	GASKET, CRANKCASE COVER 2	1				
14	99530-10114	PIN, DOWEL	2				
15	95E32-06040	BOLT, FLANGE DEEP RECESS	4				
16	95E32-06050	BOLT, FLANGE DEEP RECESS	6				
17	BK6-E5362-00	PLUG, OIL LEVEL	1				
18	93210-19809	O-RING	1				
19	93101-10843	OIL SEAL	1				
20	95E32-06090	BOLT, FLANGE DEEP RECESS	1				

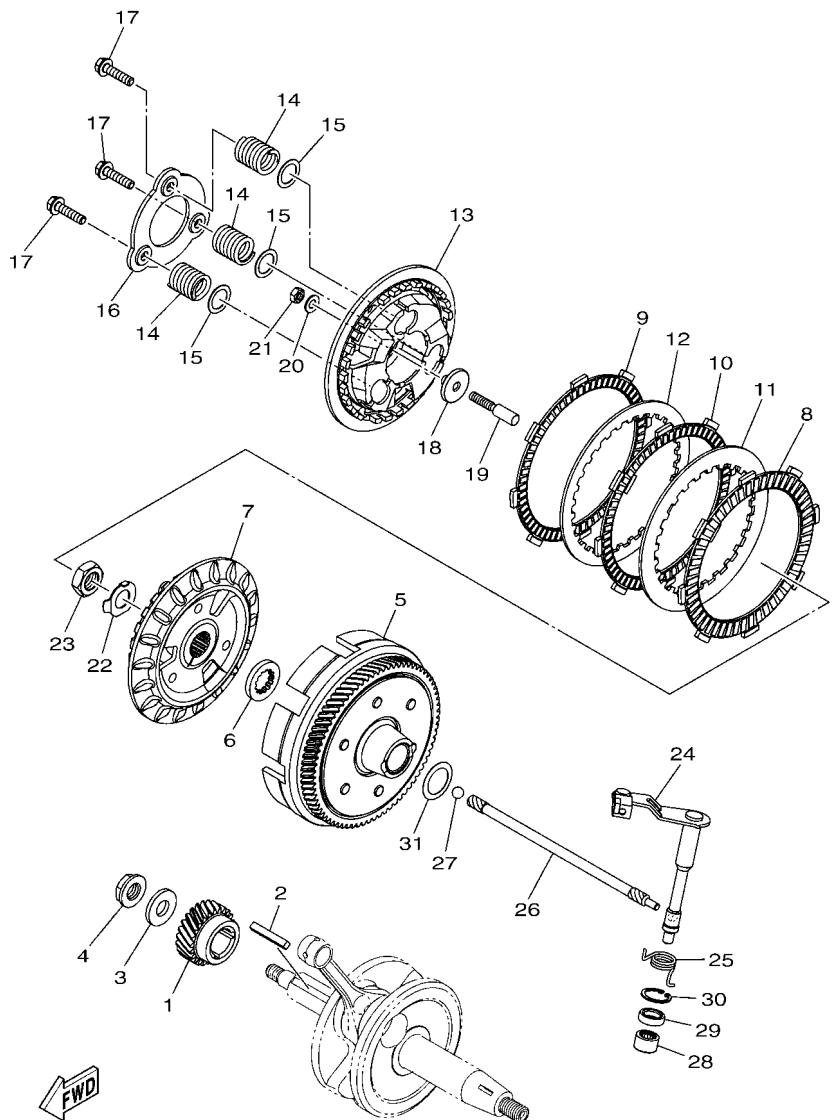
FIG. 12 STARTER CLUTCH



REF. NO.	PART NO.	DESCRIPTION	BJA2				REMARKS
1	B48-E5514-00	GEAR 2	1				
2	BK7-E5521-00	SHAFT 1	1				
3	2PV-E5524-10	WHEEL, STARTER	1				
4	93310-325YC	BEARING	1				
5	90201-25290	WASHER, PLATE	1				
6	2TP-E5580-00	STARTER CLUTCH OUTER ASSY	1				
7	90110-06873	BOLT, HEXAGON SOCKET HEAD	3				



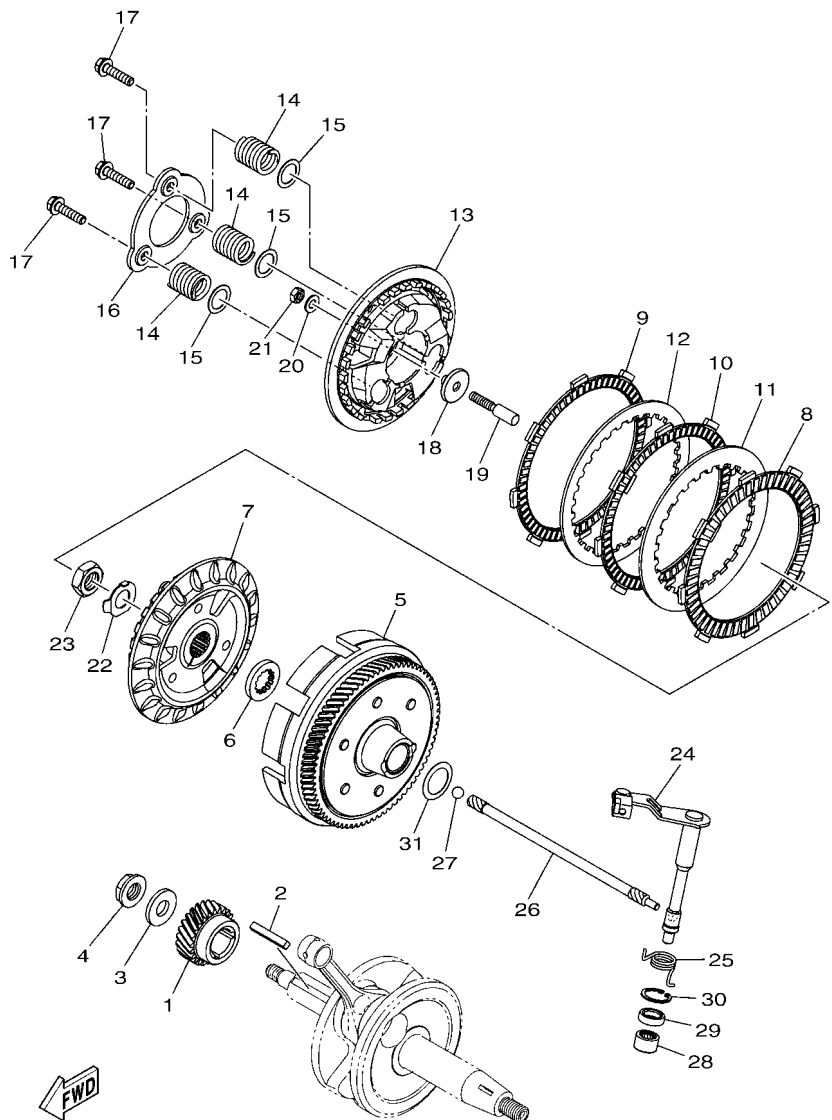
 BK61460-S120



BK61460-S130

FIG. 13 CLUTCH

REF. NO.	PART NO.	DESCRIPTION	BUA2				REMARKS
1	3C1-E6111-00	GEAR, PRIMARY DRIVE	1				
2	38B-E6193-00	KEY, FEATHER	1				
3	90201-12019	WASHER, PLATE	1				
4	90179-12808	NUT	1				
5	BDJ-E6150-00	PRIMARY DRIVEN GEAR COMP.	1				
6	2ND-E6154-00	PLATE, THRUST 1	1				
7	BK6-E6371-00	BOSS, CLUTCH	1				
8	2ND-E6321-00	PLATE, FRICTION	1				
9	BK6-E6331-00	PLATE, FRICTION 2	1				
10	BK6-E6321-00	PLATE, FRICTION	1				
11	BK6-E6325-00	PLATE, CLUTCH 2	1				
12	BK6-E6324-00	PLATE, CLUTCH 1	1				
13	BK6-E6351-00	PLATE, PRESSURE 1	1				
14	BK6-E6333-00	SPRING, CLUTCH 1	3				
15	BK6-E6774-00	WASHER	3				
16	BK6-E6352-00	PLATE, PRESSURE 2	1				
17	BK6-E6337-00	SCREW, SPRING	3				
18	3C1-E6358-00	PLATE, PUSH	1				
19	3C1-E6356-10	ROD, PUSH 1	1				
20	54B-E6144-00	WASHER	1				
21	3C1-E6344-00	NUT, ADJUSTING	1				
22	90215-14802	WASHER, LOCK	1				
23	90170-14801	NUT	1				
24	BK7-E6380-00	PUSH LEVER ASSY	1				
25	BK6-E6345-00	SPRING, RETURN	1				
26	1PA-E6357-00	ROD, PUSH 2	1				
27	93505-16844	BALL	1				

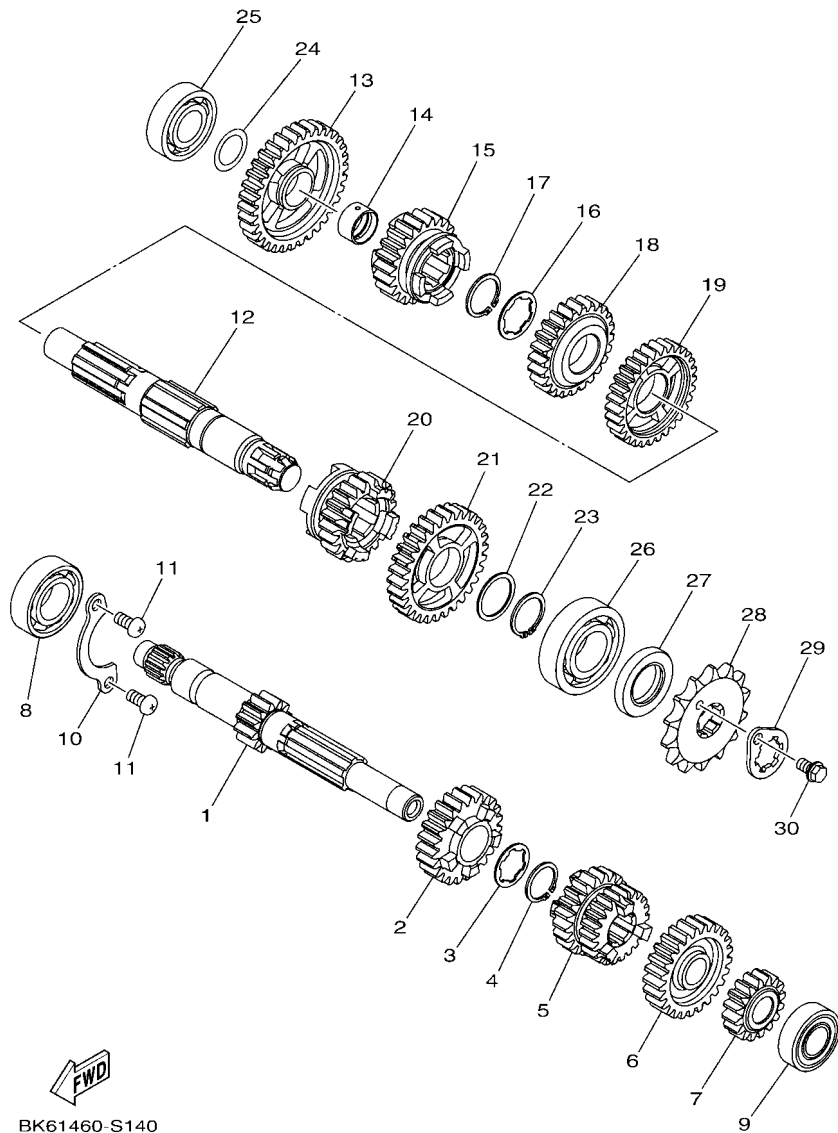


BK61460-S130

FIG. 13 CLUTCH

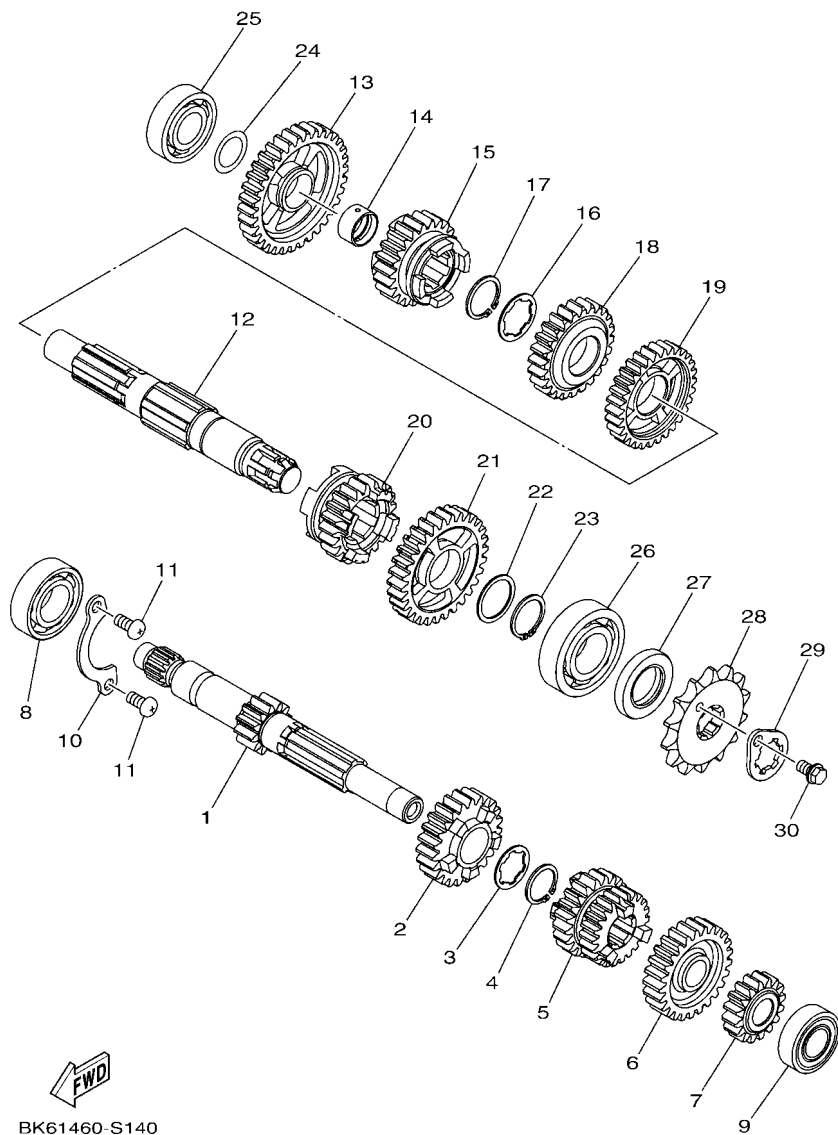
REF. NO.	PART NO.	DESCRIPTION	BUA2				REMARKS
28	93315-112Y8	BEARING	1				
29	93102-12862	OIL SEAL	1				
30	99009-20500	CIRCLIP	1				
31	90208-20003	WASHER, CONICAL SPRING	1				

FIG. 14 TRANSMISSION



BK61460-S140

REF. NO.	PART NO.	DESCRIPTION	BUA2				REMARKS
1	BK6-E7411-00	AXLE, MAIN	1				
2	BK6-E7151-00	GEAR, 5TH PINION (23T)	1				
3	90209-17285	WASHER	1				
4	93410-20038	CIRCLIP	1				
5	5D7-E7131-00	GEAR, 3RD PINION (22T/21T)	1				
6	BK6-E7161-00	GEAR, 6TH PINION (25T)	1				
7	3C1-E7121-00	GEAR, 2ND PINION (16T)	1				
8	93306-054XF	BEARING	1				
9	93306-252YN	BEARING	1				
10	3C1-E7471-00	PLATE, COVER	1				
11	98512-06012	SCREW, PAN HEAD	2				
12	BK6-E7421-00	AXLE, DRIVE	1				
13	3C1-E7211-00	GEAR, 1ST WHEEL (34T)	1				
14	90387-17804	COLLAR	1				
15	BK6-E7251-00	GEAR, 5TH WHEEL (22T)	1				
16	90209-18208	WASHER	1				
17	93410-22039	CIRCLIP	1				
18	BK6-E7241-00	GEAR, 4TH WHEEL (24T)	1				
19	BK6-E7231-00	GEAR, 3RD WHEEL (30T)	1				
20	5D7-E7261-00	GEAR, 6TH WHEEL (21T)	1				
21	BK6-E7221-00	GEAR, 2ND WHEEL (30T)	1				
22	90201-22793	WASHER, PLATE	1				
23	93410-22039	CIRCLIP	1				
24	90201-173F4	WASHER, PLATE	1				
25	93306-253X2	BEARING	1				
26	93306-272YC	BEARING	1				
27	93102-22827	OIL SEAL	1				



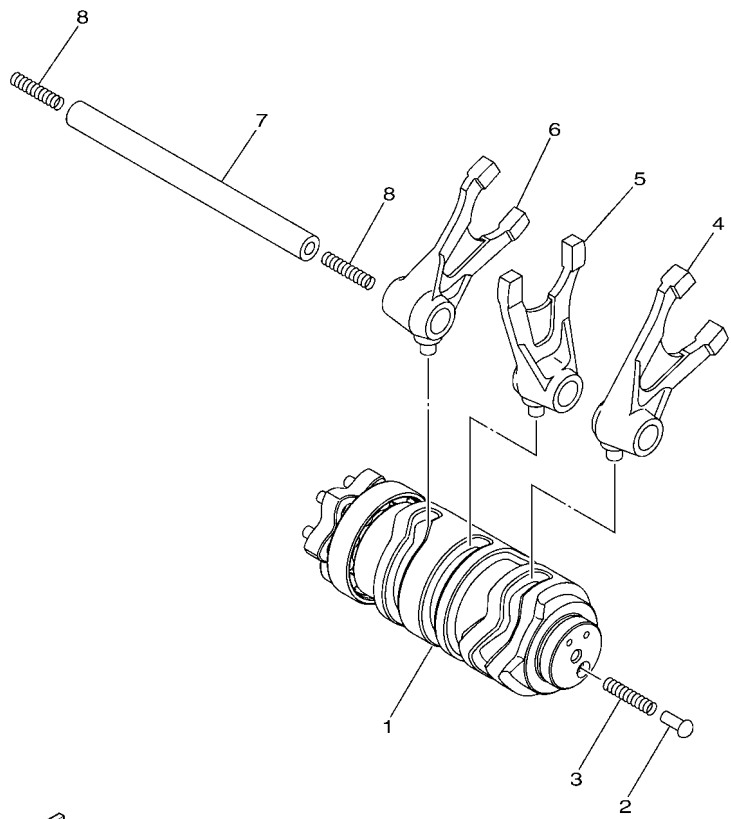
BK61460-S140

FIG. 14 TRANSMISSION

REF. NO.	PART NO.	DESCRIPTION	BUA2				REMARKS
28	93822-14800	SPROCKET, DRIVE (14T)	1				
29	1S7-E7456-00	HOLDER, SPROCKET	1				
30	95022-06010	BOLT, FLANGE	1				

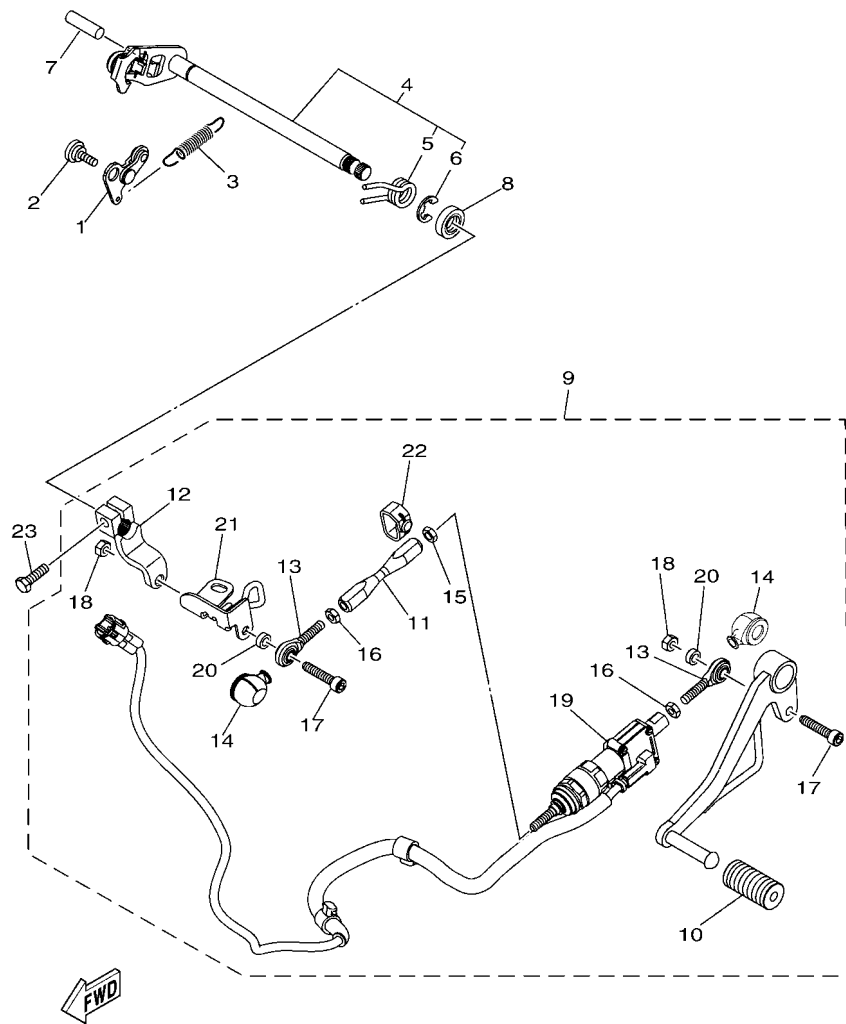
FIG. 15 SHIFT CAM & FORK

REF. NO.	PART NO.	DESCRIPTION	BUA2				REMARKS
1	BK6-E8540-00	SHIFT CAM ASSY	1				
2	5TP-E8542-00	POINT, NEUTRAL	1				
3	90501-06022	SPRING, COMPRESSION	1				
4	2ND-E8511-00	FORK, SHIFT 1	1				
5	2ND-E8512-00	FORK, SHIFT 2	1				
6	2ND-E8513-00	FORK, SHIFT 3	1				
7	1PA-E8531-00	BAR, SHIFT FORK GUIDE 1	1				
8	90501-06800	SPRING, COMPRESSION	2				



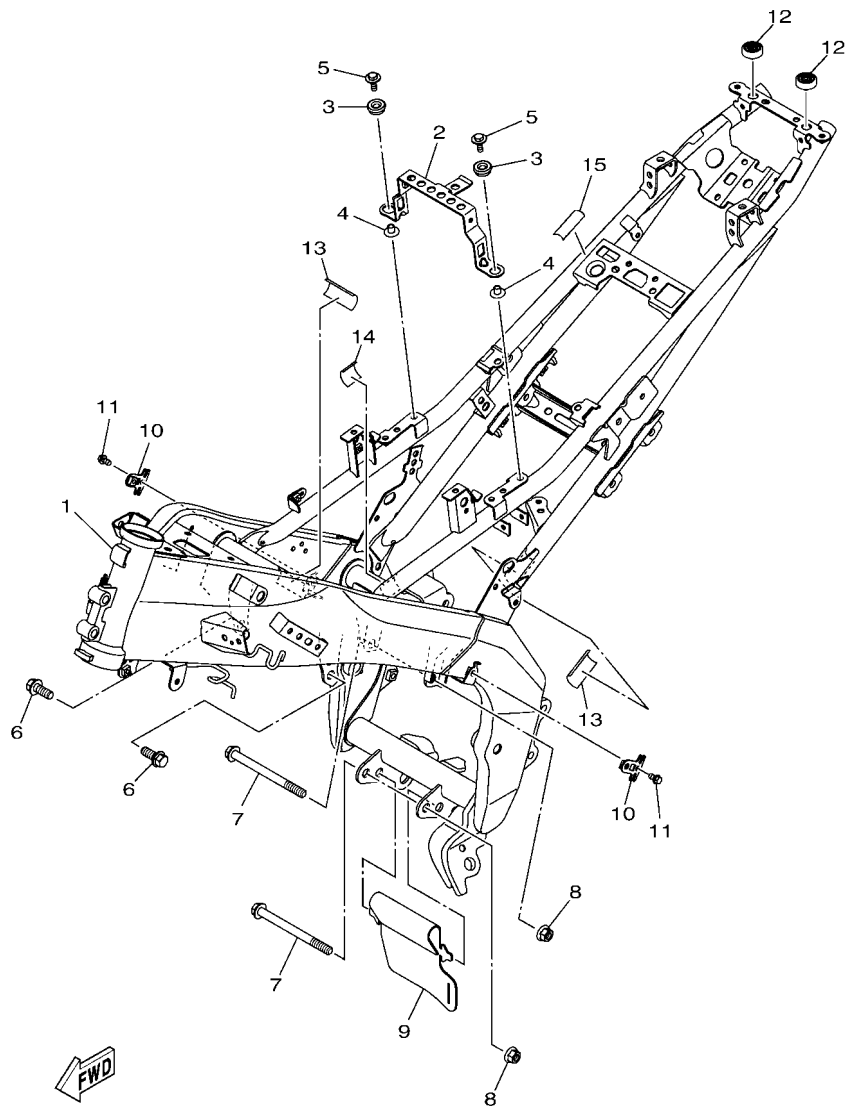
 BK61460-S150

FIG. 16 SHIFT SHAFT



BDJ1460-X160

REF. NO.	PART NO.	DESCRIPTION	BUA2				REMARKS
1	BK6-E8140-00	STOPPER LEVER ASSY	1				
2	90109-06279	BOLT	1				
3	BK6-E8337-00	SPRING	1				
4	38B-E8101-00	SHIFT SHAFT ASSY	1				
5	90508-32837	.SPRING, TORSION	1				
6	99001-10600	.CIRCLIP	1				
7	93608-30839	PIN, DOWEL	1				
8	93102-12891	OIL SEAL	1				
9	BDJ-E8110-00	SHIFT PEDAL ASSY	1				
10	BBS-E8113-00	.COVER, SHIFT PEDAL	1				
11	BDJ-E8115-00	.ROD, SHIFT	1				
12	BDJ-E8112-00	.ARM, SHIFT	1				
13	5LV-18116-10	.JOINT, ROD 1	2				
14	BDJ-E8154-00	.COVER, DUST	2				
15	90170-06228	.NUT (COUNTER CLOCKWISE)	1				
16	95304-06700	.NUT	2				
17	90110-06177	.BOLT, HEXAGON SOCKET HEAD	2				
18	95302-06600	.NUT, HEXAGON	2				
19	BCW-H2470-00	.SHIFT SWITCH ASSY	1				
20	90387-06322	.COLLAR	2				
21	BDJ-F7263-00	.BRACKET 1	1				
22	BDJ-H2155-00	.BAND	1				
23	97012-06020	BOLT	1				



BJA2440-Y170

FIG. 17 FRAME

REF. NO.	PART NO.	DESCRIPTION	BJA2				REMARKS
1	BDJ-F1110-00	FRAME COMP.	1				
2	BDJ-F1946-00	BRACKET, SEAT FITTING	1				
3	90480-13567	GROMMET	2				
4	90387-068C5	COLLAR	2				
5	90119-06810	BOLT, WITH WASHER	2				
6	90105-108B7	BOLT, FLANGE	2				
7	90105-10886	BOLT, FLANGE	2				
8	90179-10805	NUT	2				
9	BK6-F2327-10	MUD GUARD 1	1				
10	BDJ-F1321-00	STAY, SIDE COVER 1	2				
11	95E32-06010	BOLT, FLANGE DEEP RECESS	2				
12	5BP-F4741-00	PAD, SEAT	2				
13	5D9-F414G-00	SEAL	2				
14	5D9-F414G-10	SEAL	1				
15	55C-F815P-00	LABEL, NOTICE 1	1				

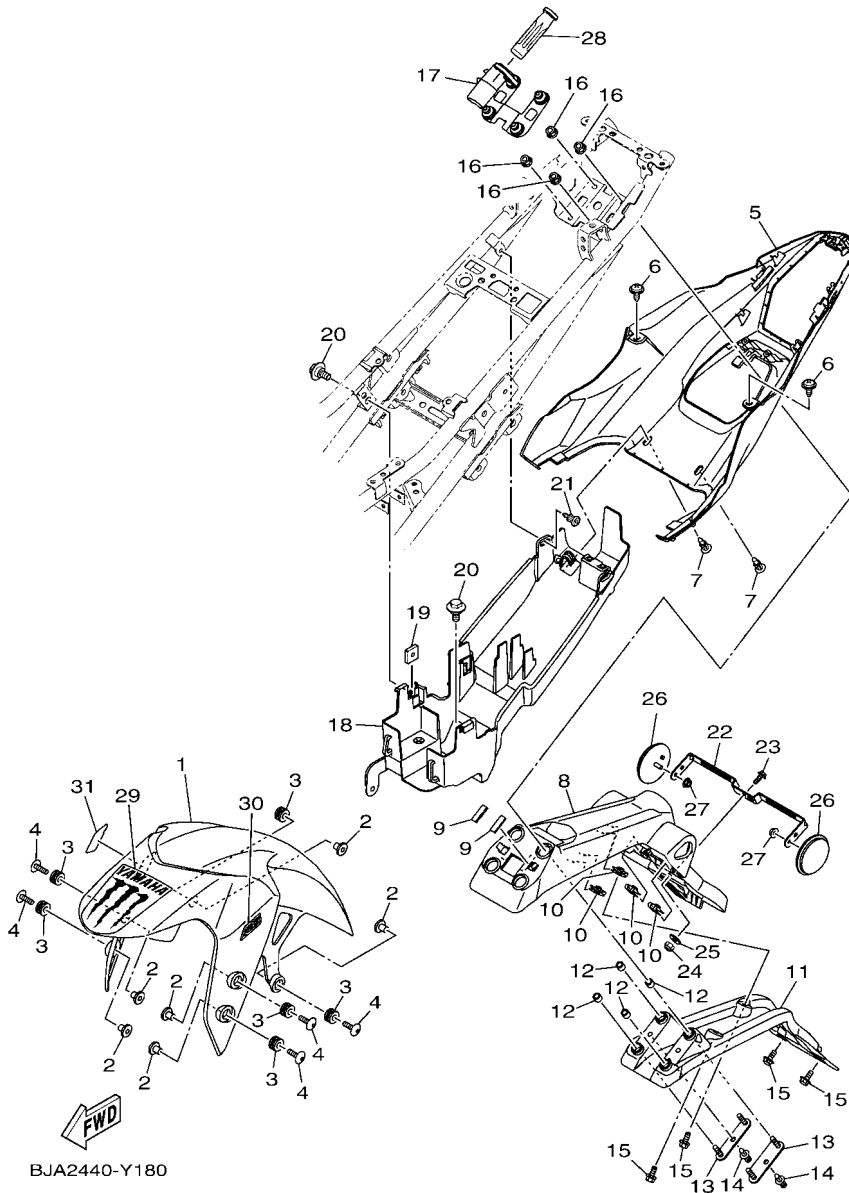
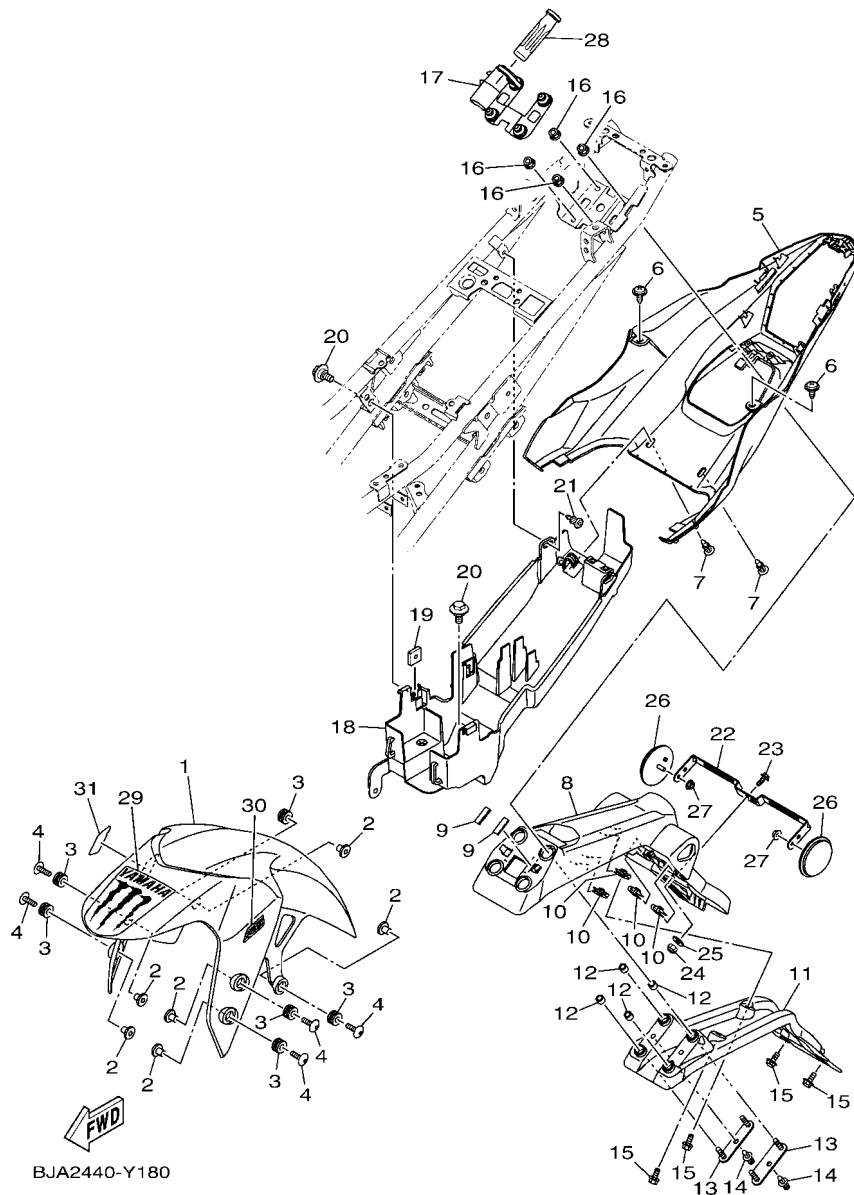


FIG. 18 FENDER

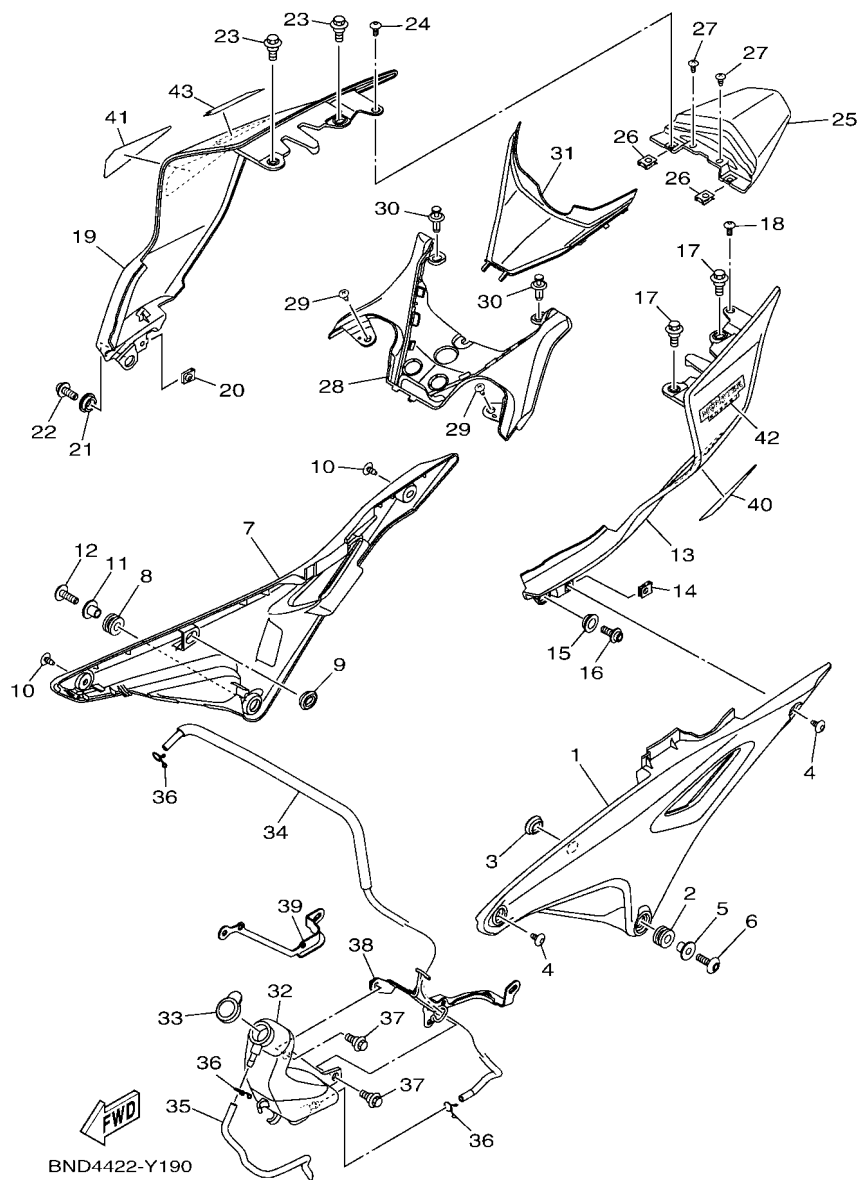
REF. NO.	PART NO.	DESCRIPTION	BJA2	REMARKS
1	BK6-F1511-00-P4	FENDER, FRONT	1	SM12
2	90387-068T1	COLLAR	6	
3	90480-12805	GROMMET	6	
4	90111-06137	BOLT,HEX. SOCKET BUTTON	5	
5	BDJ-F1611-00	FENDER, REAR	1	
6	90159-06817	SCREW, WITH WASHER	2	
7	90269-06813	RIVET	2	
8	BK6-F1629-02	GUARD, MUD	1	
9	28D-F834E-00	DAMPER 3	2	
10	90183-050A7	NUT, SPRING	4	
11	BK6-F1617-00	BRACKET, FENDER	1	
12	90387-066J9	COLLAR	4	
13	BK6-F1613-00	STAY, FENDER 1	2	
14	90269-06813	RIVET	2	
15	90119-05022	BOLT, WITH WASHER	4	
16	95602-06200	NUT, SELF-LOCKING	4	
17	BDJ-F1642-00	GUARD, FLAP	1	
18	BDJ-F162R-00	FENDER 2	1	
19	90173-06806	NUT, SQUARE	1	
20	90109-06220	BOLT	2	
21	90269-06813	RIVET	1	
22	B2S-F1641-01	BRACKET, REFLECTOR	1	
23	95022-06014	BOLT, FLANGE	1	
24	95607-06100	NUT, SELF-LOCKING	1	
25	90201-06078	WASHER, PLATE	1	
26	2FC-H5111-00	REFLECTOR, 1	2	
27	95707-05500	NUT, FLANGE	2	

FIG. 18 FENDER



REF. NO.	PART NO.	DESCRIPTION	BJA2				REMARKS
28	36L-F8151-11	GRIP, DRIVER	1				
29	BND-F1569-00	GRAPHIC 1	1				
30	B5P-F1569-D0	GRAPHIC 1	1				
31	B5P-F1569-D0	GRAPHIC 1	1				

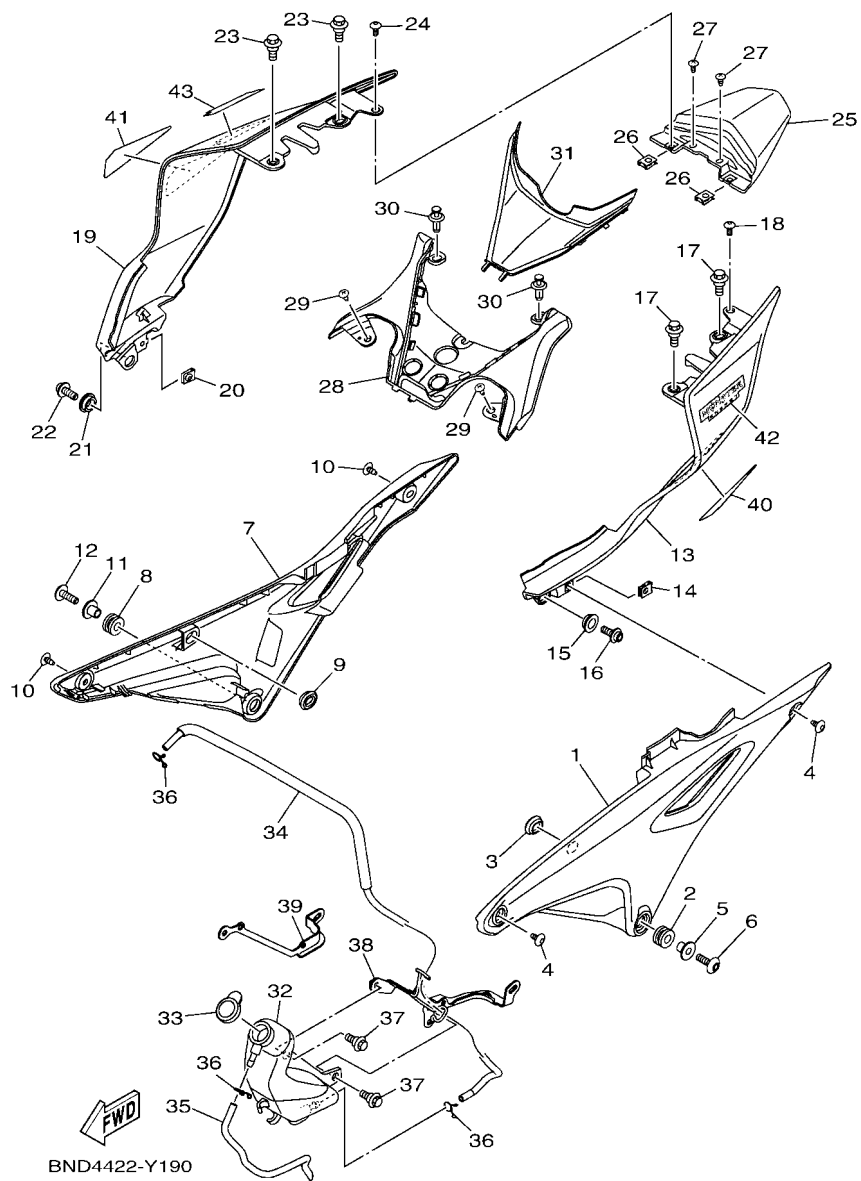
FIG. 19 SIDE COVER



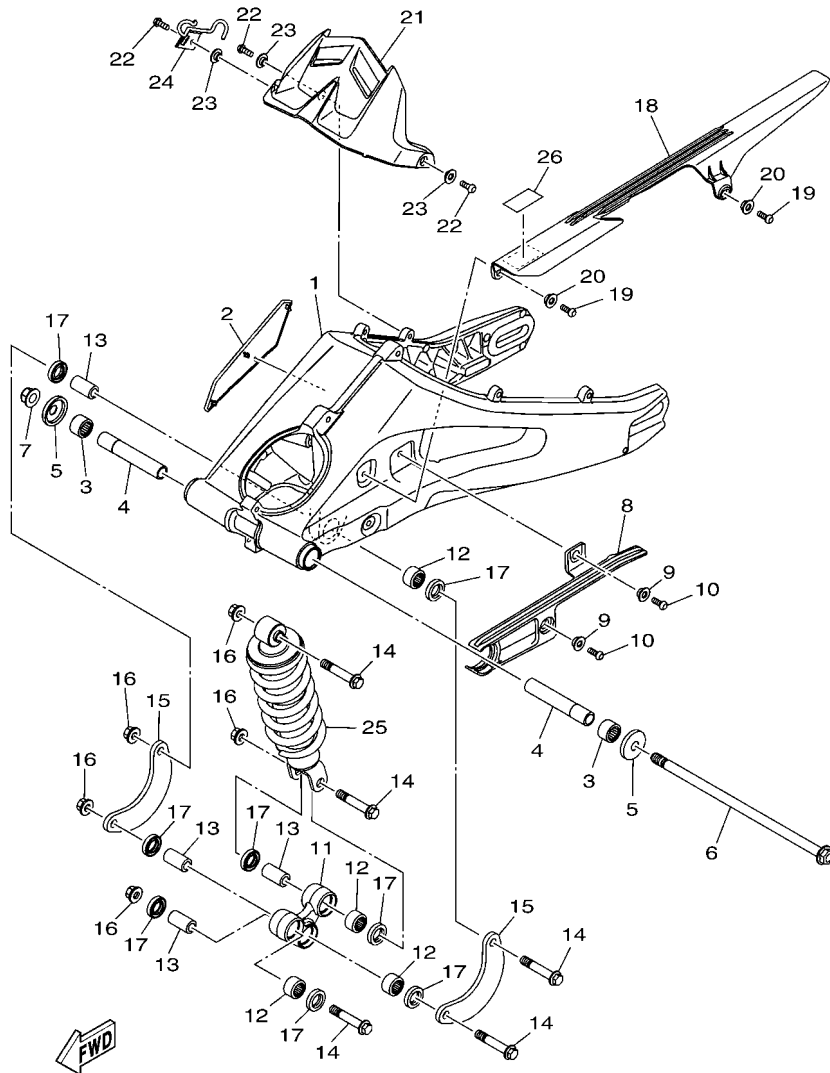
BND4422-Y190

REF. NO.	PART NO.	DESCRIPTION	BUA2				REMARKS
1	BDJ-F1711-00	COVER, SIDE 1	1				
2	90480-12805	GROMMET	1				
3	90480-01559	GROMMET	1				
4	90160-05812	SCREW, ROUND TAPPING	2				
5	90387-06899	COLLAR	1				
6	90149-06829	SCREW	1				
7	BDJ-F1721-00	COVER, SIDE 2	1				
8	90480-12805	GROMMET	1				
9	90480-01559	GROMMET	1				
10	90160-05812	SCREW, ROUND TAPPING	2				
11	90387-06899	COLLAR	1				
12	90149-06829	SCREW	1				
13	BDJ-F1731-00-P2	COVER, SIDE 3	1				SM12
14	90183-05807	NUT, SPRING	1				
15	90387-10866	COLLAR	1				
16	90110-06215	BOLT, HEXAGON SOCKET HEAD	1				
17	90109-068C6	BOLT	2				
18	90111-05016	BOLT, HEX. SOCKET BUTTON	1				
19	BDJ-F1741-00-P2	COVER, SIDE 4	1				SM12
20	90183-05807	NUT, SPRING	1				
21	90387-10866	COLLAR	1				
22	90110-06215	BOLT, HEXAGON SOCKET HEAD	1				
23	90109-068C6	BOLT	2				
24	90111-05016	BOLT, HEX. SOCKET BUTTON	1				
25	BDJ-F171E-00	COVER, SIDE 5	1				
26	90183-05076	NUT, SPRING	2				
27	97707-50016	SCREW, TRUSS HEAD TAPPING	2				

FIG. 19 SIDE COVER



REF. NO.	PART NO.	DESCRIPTION	BUA2				REMARKS
28	BDJ-F171X-00	COVER, SIDE 6	1				
29	97707-50012	SCREW, TRUSS HEAD TAPPING	2				
30	90269-06813	RIVET	2				
31	BDJ-F175N-00	COVER, FLANGE	1				
32	BK6-F1871-00	TANK, RECOVERY	1				
33	1S7-F1875-01	CAP	1				
34	BK7-F1817-00	PIPE 2	1				
35	BK6-F247A-01	HOSE 1	1				
36	90467-08003	CLIP	3				
37	90109-06220	BOLT	2				
38	BDJ-F8283-00	BRACKET, POUCH	1				
39	BDJ-F8284-00	BRACKET, UNDER	1				
40	BND-F173E-00	GRAPHIC 1	1				
41	BND-F173F-00	GRAPHIC 2	1				
42	BND-F174G-00	GRAPHIC 3	1				
43	BND-F174G-00	GRAPHIC 3	1				

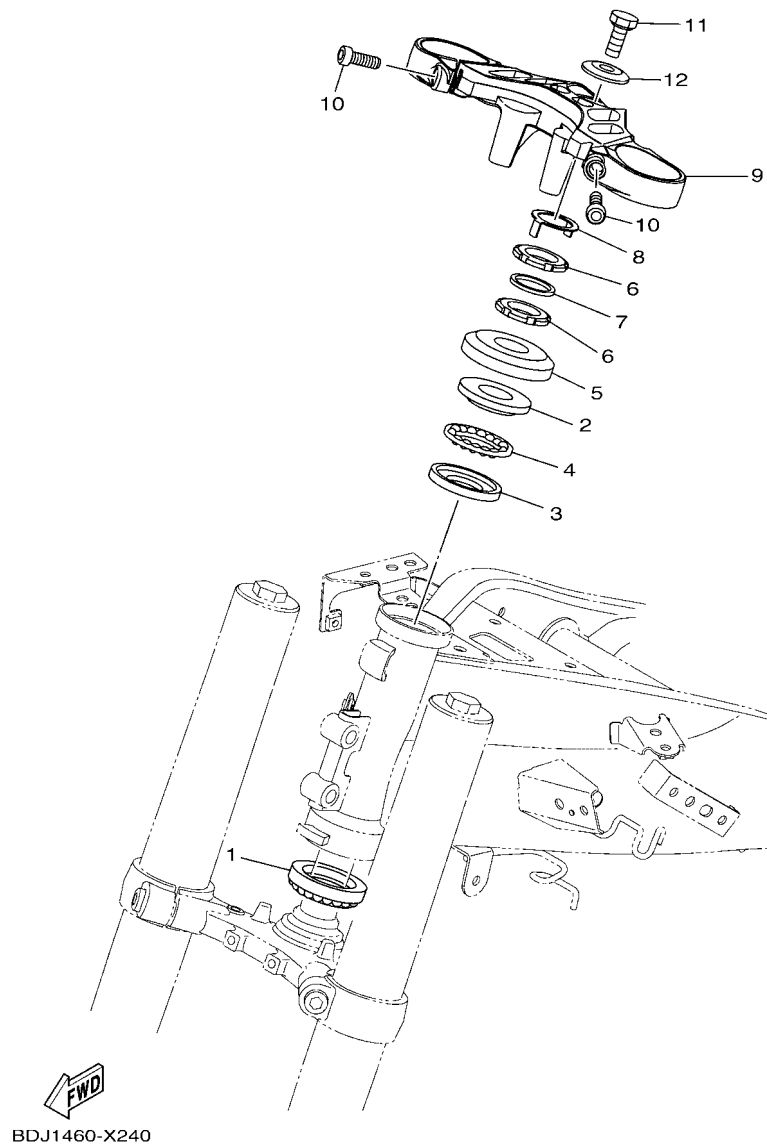


BK61460-S200

FIG. 20 REAR ARM & SUSPENSION

REF. NO.	PART NO.	DESCRIPTION	BUA2				REMARKS
1	BK6-F2110-10	REAR ARM COMP.	1				
2	BK6-F135F-01	COVER	1				
3	93317-218Y1	BEARING	2				
4	BK6-F2184-00	BUSH	2				
5	2PK-F2128-01	COVER, THRUST 1	2				
6	BK6-F2141-00	SHAFT, PIVOT	1				
7	95602-12200	NUT, SELF-LOCKING	1				
8	BK6-F2151-00	SEAL, GUARD	1				
9	90387-068S1	COLLAR	2				
10	92012-06016	BOLT, BUTTON HEAD	2				
11	2PK-F217A-00	ARM, RELAY	1				
12	93315-317Y1	BEARING	4				
13	90387-10814	COLLAR	4				
14	90105-10887	BOLT, FLANGE	5				
15	2PK-F217F-00	ROD, CONNECTING 1	2				
16	90179-10805	NUT	5				
17	93106-17801	OIL SEAL	8				
18	BK6-F2311-01	CASE, CHAIN	1				
19	92012-06016	BOLT, BUTTON HEAD	2				
20	90387-068S1	COLLAR	2				
21	BK6-F1650-01	REAR FENDER COMP.	1				
22	92012-06016	BOLT, BUTTON HEAD	3				
23	90387-068S1	COLLAR	3				
24	BDJ-F587A-00	HOLDER, BRAKE HOSE 4	1				
25	BK6-F2210-10	SHOCK ABSORBER ASSY, REAR	1				
26	B92-F1668-00	LABEL, TIRE	1				

FIG. 21 STEERING



REF. NO.	PART NO.	DESCRIPTION	BUA2				REMARKS
1	5BP-F3873-01	BEARING, STEERING UPPER	1				
2	4FP-F3411-20	RACE, BALL 1	1				
3	4FP-F3412-10	RACE, BALL 2	1				
4	5VL-F341E-10	RETAINER, BALL BEARING	1				
5	5BP-F3416-10	COVER, BALL RACE 2	1				
6	90179-25615	NUT	2				
7	90202-26142	WASHER, PLATE	1				
8	1PA-F3418-00	WASHER, SPECIAL	1				
9	BDJ-F3435-00	CROWN, HANDLE	1				
10	91337-08030	BOLT	2				
11	90105-10006	BOLT, FLANGE	1				
12	90209-10020	WASHER	1				

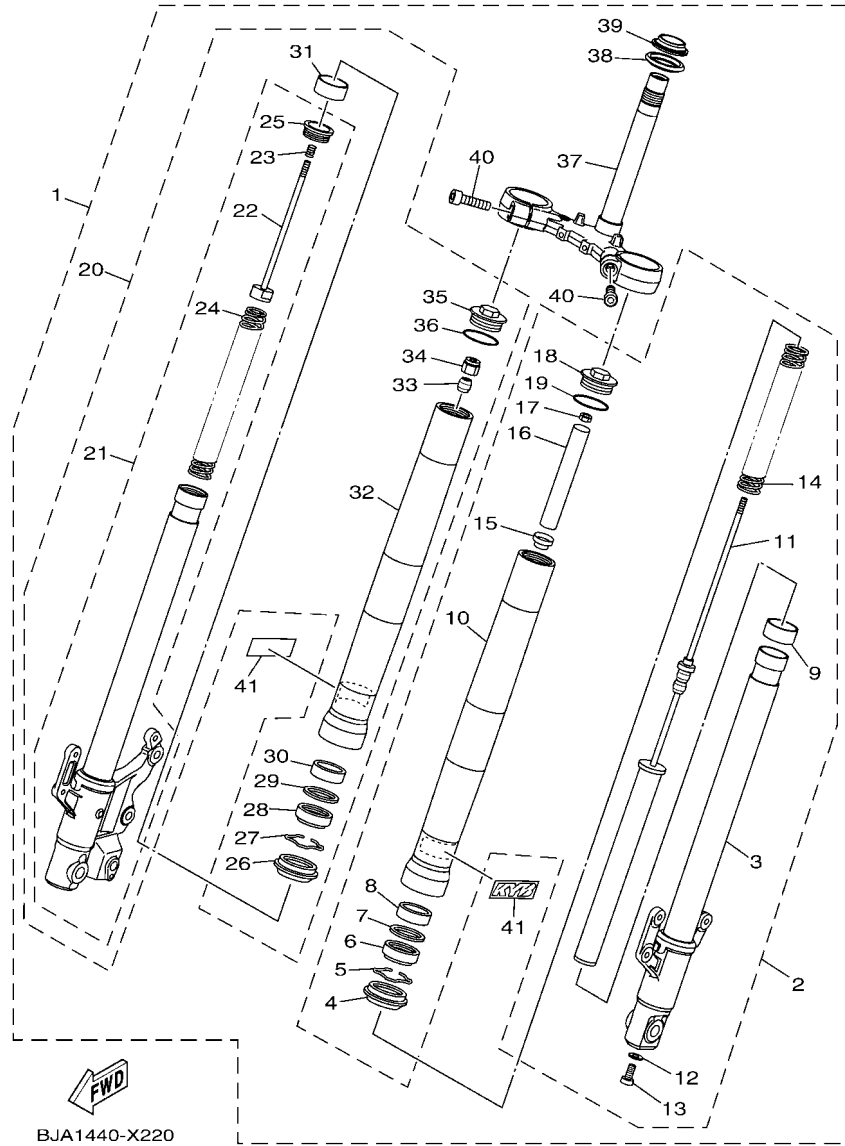


FIG. 22 FRONT FORK

REF. NO.	PART NO.	DESCRIPTION	BJA2				REMARKS
1	BDJ-F3100-00	FRONT FORK ASSY	1				
2	BDJ-F3102-00	..FRONT FORK ASSY (L.H)	1				
3	BDJ-F3110-00	..INNER TUBE COMP.1	1				
4	B48-F3144-00	..SEAL, DUST	1				
5	3R4-23153-00	..RING, SNAP	1				
6	BK6-F3145-00	..OIL SEAL	1				
7	31A-23149-31	..WASHER, SPRING UPPER	1				
8	31A-23125-31	..METAL, SLIDE 1	1				
9	BK6-F3171-00	..PISTON, FRONT FORK	1				
10	BK6-F3126-10	..TUBE, OUTER (L.H)	1				
11	BDJ-F3170-00	..CYLINDER COMP., FRONT FORK	1				
12	2BU-F3158-00	..GASKET	1				
13	31B-F3181-00	..BOLT, HEXAGON SOCKET HEAD	1				
14	BK6-F3141-00	..SPRING, FRONT FORK	1				
15	BK6-F3117-00	..GUIDE, SPRING	1				
16	BK6-F3118-00	..SPACER	1				
17	BK6-F3357-00	..NUT	1				
18	BDJ-F3111-00	..BOLT, CAP	1				
19	4V4-23188-L0	..O-RING	1				
20	BDJ-F3103-00	..FRONT FORK ASSY (R.H)	1				
21	BDJ-F3120-00	..INNER TUBE COMP.2	1				
22	BK6-F330G-00	...ROD COMP.	1				
23	3AH-22222-00	...SPRING 2	1				
24	BK6-F3141-00	...SPRING, FRONT FORK	1				
25	BK6-F319U-00	...CAP	1				
26	B48-F3144-00	..SEAL, DUST	1				
27	3R4-23153-00	..RING, SNAP	1				

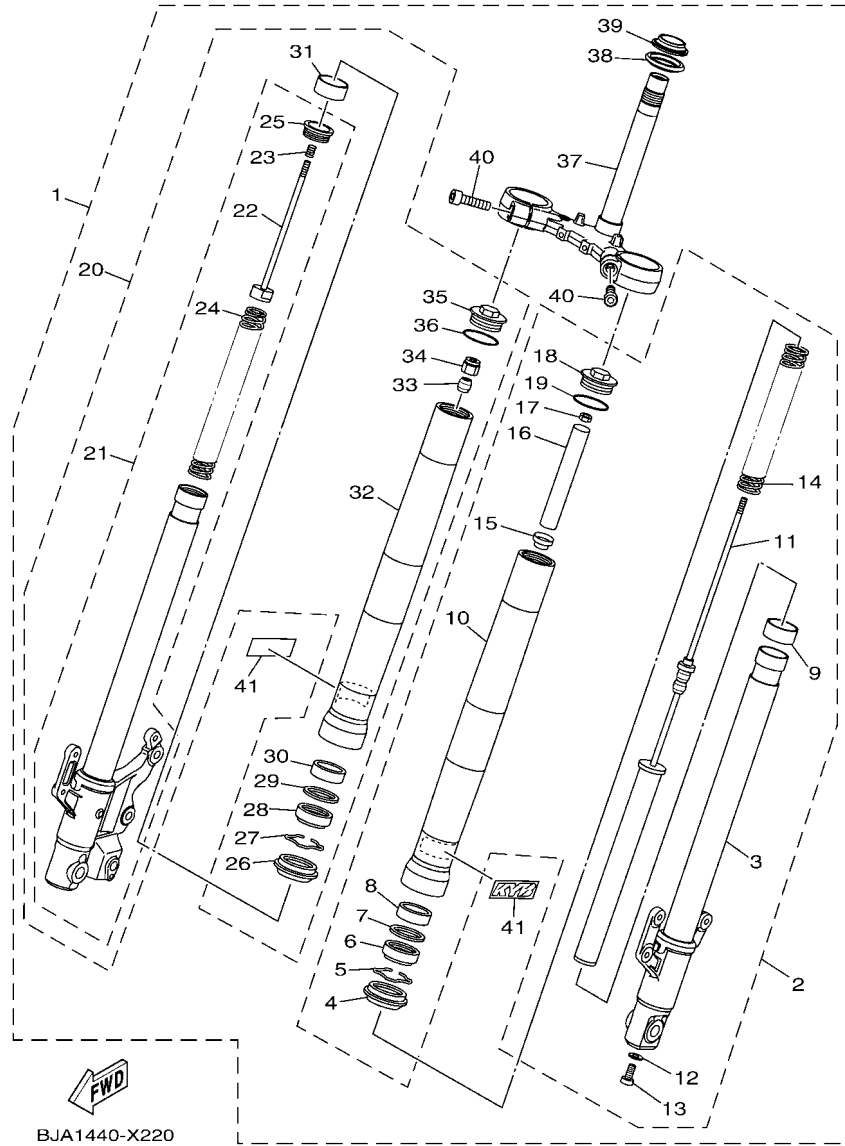
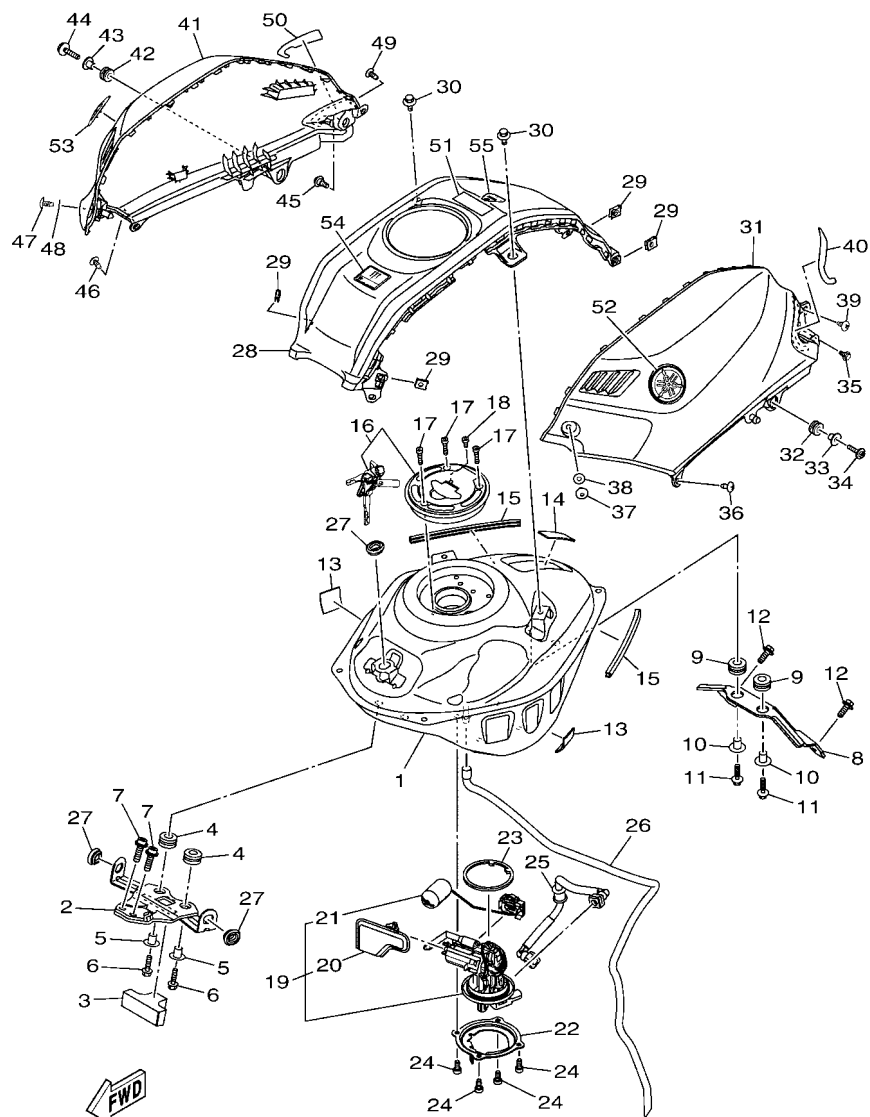


FIG. 22 FRONT FORK

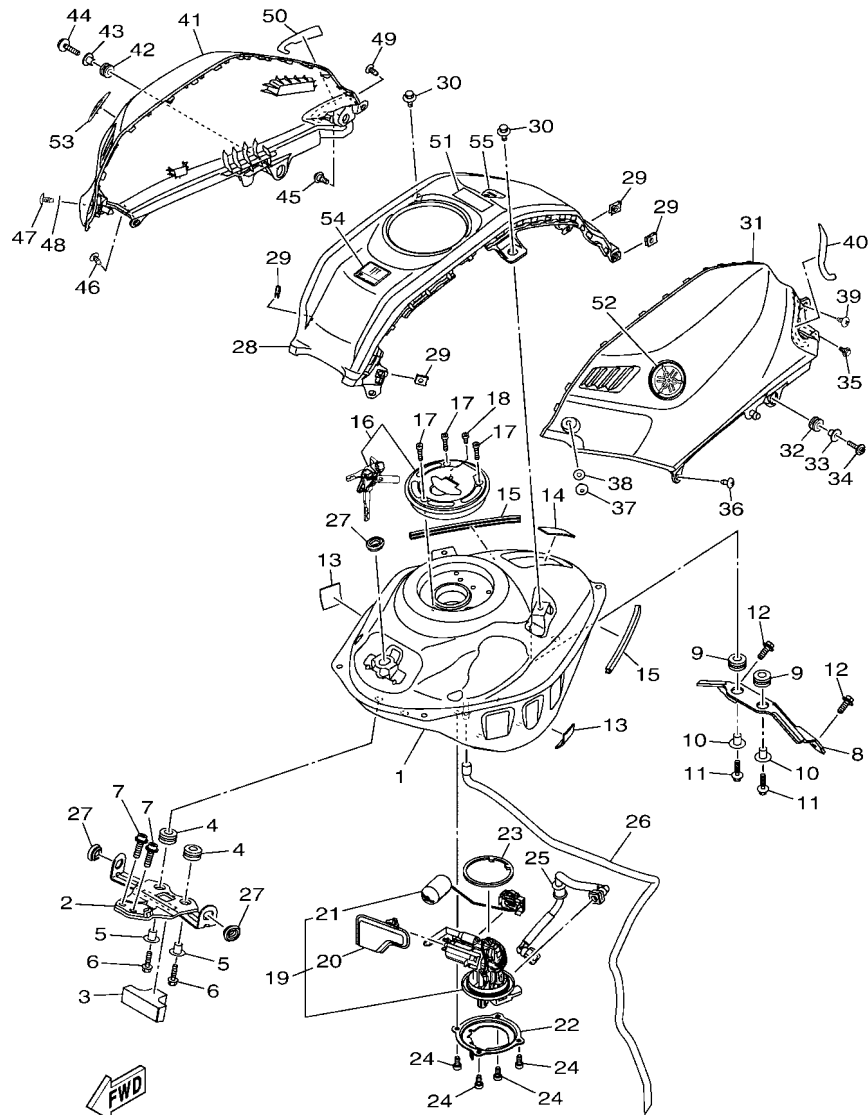
REF. NO.	PART NO.	DESCRIPTION	BJA2				REMARKS
28	BK6-F3145-00	..OIL SEAL	1				
29	31A-23149-31	..WASHER, SPRING UPPER	1				
30	31A-23125-31	..METAL, SLIDE 1	1				
31	BK6-F3171-00	..PISTON, FRONT FORK	1				
32	BK6-F3126-10	..TUBE, OUTER (L.H)	1				
33	BK6-F332K-00	..BUMP, STOP	1				
34	BK6-F3393-00	..NUT, SPECIAL	1				
35	BDJ-F3111-00	..BOLT, CAP	1				
36	4V4-23188-L0	..O-RING	1				
37	BK6-F3340-00	..UNDER BRACKET COMP.	1				
38	5VC-23462-00	..SEAL, DUST	1				
39	5BP-F3875-00	..BEARING, STEERING LOWER	1				
40	BDJ-F3346-00	..BOLT 1	2				
41	BCW-F3108-00	..EMBLEM	2				

FIG. 23 FUEL TANK



BJA2440-Y230

REF. NO.	PART NO.	DESCRIPTION	BJA2				REMARKS
1	BDJ-F4110-00	FUEL TANK COMP.	1				
2	BK6-F412Y-00	BRACKET, TANK FITTING	1				
3	BK6-F4181-00	DAMPER, LOCATING 1	1				
4	90480-15363	GROMMET	2				
5	90387-068B2	COLLAR	2				
6	90105-06169	BOLT, FLANGE	2				
7	90110-08839	BOLT, HEXAGON SOCKET HEAD	2				
8	BDJ-F4191-00	BRACKET, FUEL TANK 1	1				
9	90480-15363	GROMMET	2				
10	90387-068B2	COLLAR	2				
11	90105-06169	BOLT, FLANGE	2				
12	90110-06215	BOLT, HEXAGON SOCKET HEAD	2				
13	90520-02806	DAMPER, PLATE	2				
14	90520-02012	DAMPER, PLATE	1				
15	BK8-F4188-00	MOLD, FUEL TANK	2				
16	BK6-WF461-00	CAP ASSY WITH LOCK	1				
17	90110-05806	BOLT, HEXAGON SOCKET HEAD	3				
18	91332-05010	BOLT	1				
19	BK6-E3907-00	FUEL PUMP COMP.	1				
20	54P-E3915-00	.FILTER, FUEL SUCTION	1				
21	BK6-H5752-00	.SENDER UNIT ASSY, FUEL METER	1				
22	BK6-F4491-00	BRACKET, FUEL PUMP	1				
23	1DB-F414G-01	SEAL	1				
24	91332-05010	BOLT	4				
25	BDJ-E3971-00	PIPE, FUEL 1	1				
26	BK7-F4312-00	PIPE 2	1				
27	90480-01558	GROMMET	3				



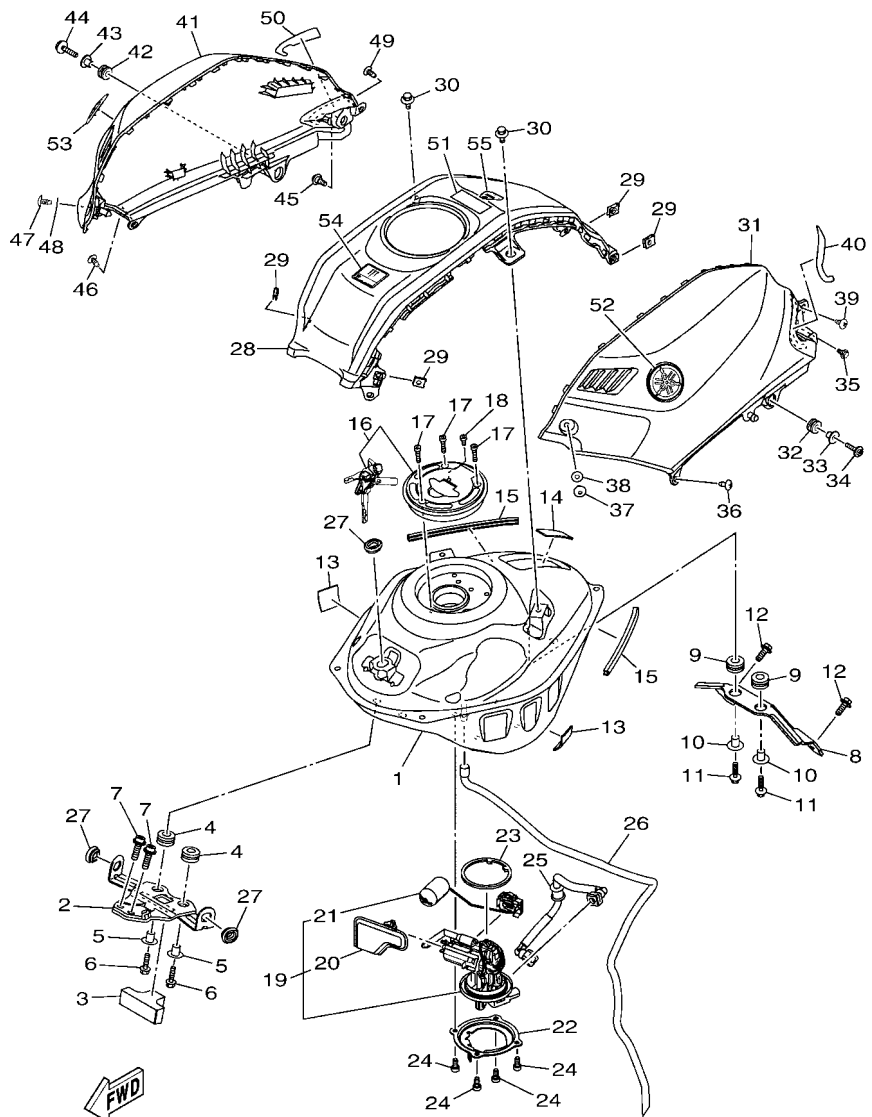
BJA2440-Y230

FIG. 23 FUEL TANK

REF. NO.	PART NO.	DESCRIPTION	BJA2			REMARKS
28	BDJ-F41B1-00-P1	COVER, TANK	1			DPBMC FOR SM12
29	90183-05807	NUT, SPRING	4			
30	90109-068B2	BOLT	2			
31	BDJ-F4129-00-P2	COVER, SIDE 1	1			SM12
32	90480-12805	GROMMET	1			
33	90387-06899	COLLAR	1			
34	90159-05011	SCREW, WITH WASHER	1			
35	90109-05014	BOLT	1			
36	97702-50012	SCREW, TAPPING	1			
37	90160-05812	SCREW, ROUND TAPPING	1			
38	90202-05180	WASHER, PLATE	1			
39	97702-50012	SCREW, TAPPING	1			
40	BDJ-F414G-00	SEAL	1			
41	BDJ-F4139-00-P2	COVER, SIDE 2	1			SM12
42	90480-12805	GROMMET	1			
43	90387-06899	COLLAR	1			
44	90159-05011	SCREW, WITH WASHER	1			
45	90109-05014	BOLT	1			
46	97702-50012	SCREW, TAPPING	1			
47	90160-05812	SCREW, ROUND TAPPING	1			
48	90202-05180	WASHER, PLATE	1			
49	97702-50012	SCREW, TAPPING	1			
50	BDJ-F414E-00	SEAL 2	1			
51	B17-F1568-00	LABEL, WARNING	1			
52	BK8-F414B-00	EMBLEM	1			
53	BK8-F414B-00	EMBLEM	1			
54	BND-F83AT-00	GRAPHIC 20	1			

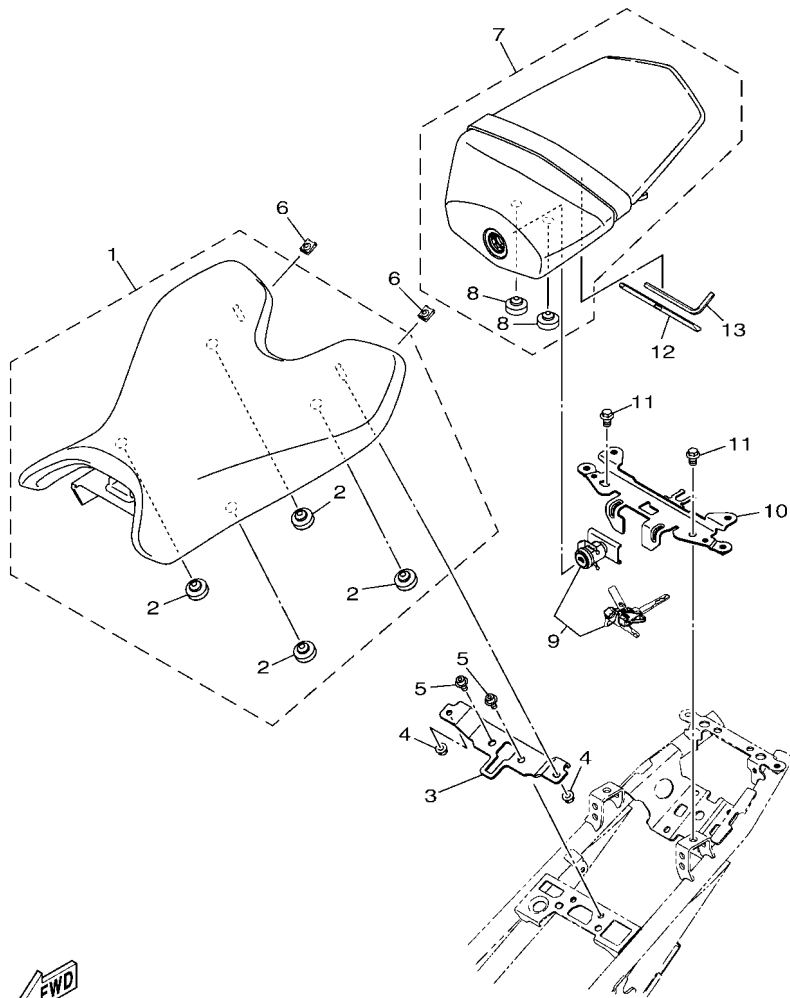
FIG. 23 FUEL TANK

REF. NO.	PART NO.	DESCRIPTION	BJA2				REMARKS
55	B6H-F8368-10	EMBLEM	1				



BJA2440-Y230

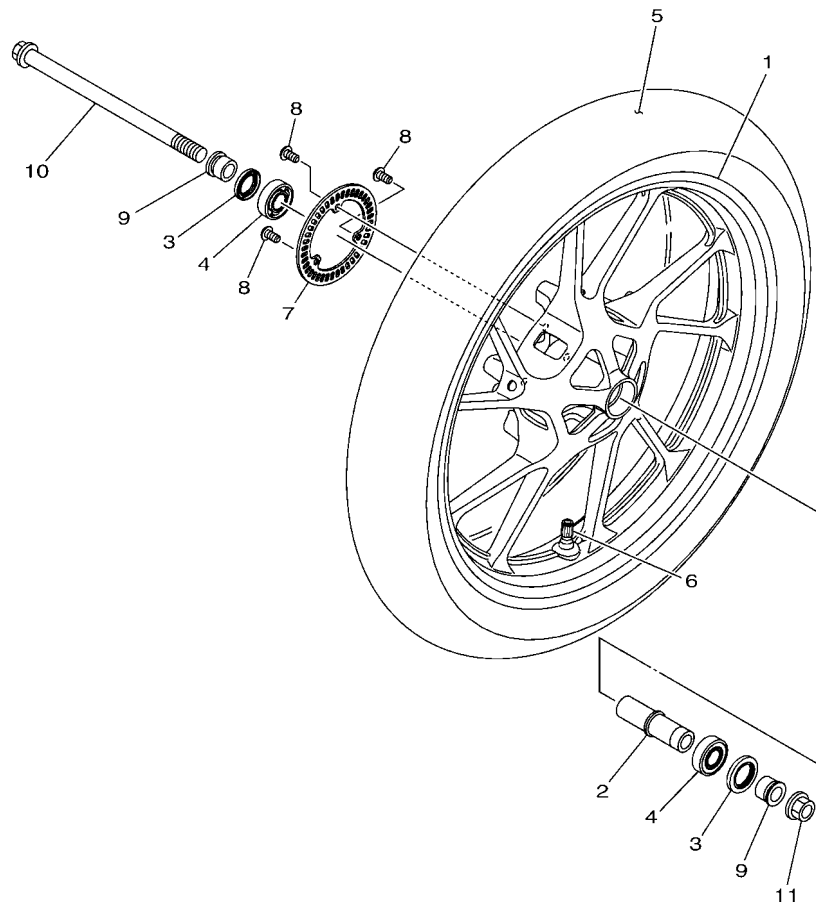
FIG. 24 SEAT




BDJ1460-X300

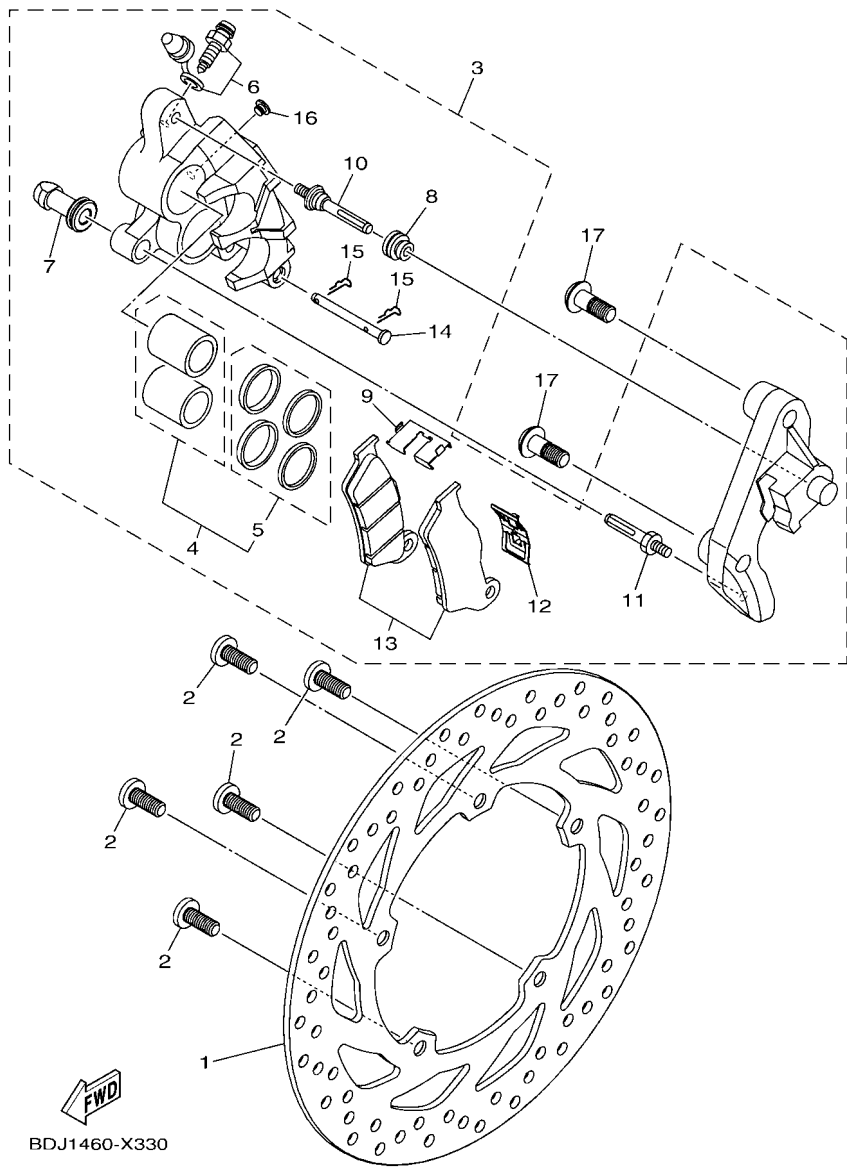
REF. NO.	PART NO.	DESCRIPTION	BJA2				REMARKS
1	BDJ-F4710-10	SINGLE SEAT ASSY	1				
2	5BP-F4741-00	.PAD, SEAT	4				
3	BDJ-F475H-00	BRACKET, SEAT LEVER 1	1				
4	95607-06200	NUT, SELF U-FLANGE	2				
5	90110-06245	BOLT, HEXAGON SOCKET HEAD	2				
6	90183-05807	NUT, SPRING	2				
7	BDJ-F4750-10	TANDEM SEAT ASSY	1				
8	5BP-F4741-00	.PAD, SEAT	2				
9	BDJ-F4705-00	SEAT LOCK ASSY	1				
10	BDJ-F475J-00	BRACKET, SEAT LEVER 2	1				
11	95022-08012	BOLT, FLANGE	2				
12	36L-F8152-00	DRIVER	1				
13	BDJ-F8164-00	WRENCH, HEXAGON 8	1				

FIG. 25 FRONT WHEEL



REF. NO.	PART NO.	DESCRIPTION	BUA2				REMARKS
1	BC5-F5168-00-33	CAST WHEEL, FRONT	1				YB FOR SM12
2	21C-F510C-10	COLLAR ASSY.	1				
3	93106-22808	OIL SEAL	2				
4	93306-252YP	BEARING	2				
5	94110-17823	TIRE (100/80-17M/C 52P RX-01F)	1				INOUE
6	93900-00824	VALVE, RIM	1				
7	2DP-F517G-00	ROTOR, SENSOR	1				
8	90149-05029	SCREW	3				
9	1CK-F5186-00	COLLAR, WHEEL	2				
10	BK6-F5181-00	AXLE, WHEEL	1				
11	95602-14200	NUT, SELF-LOCKING	1				


B9E3470-V250

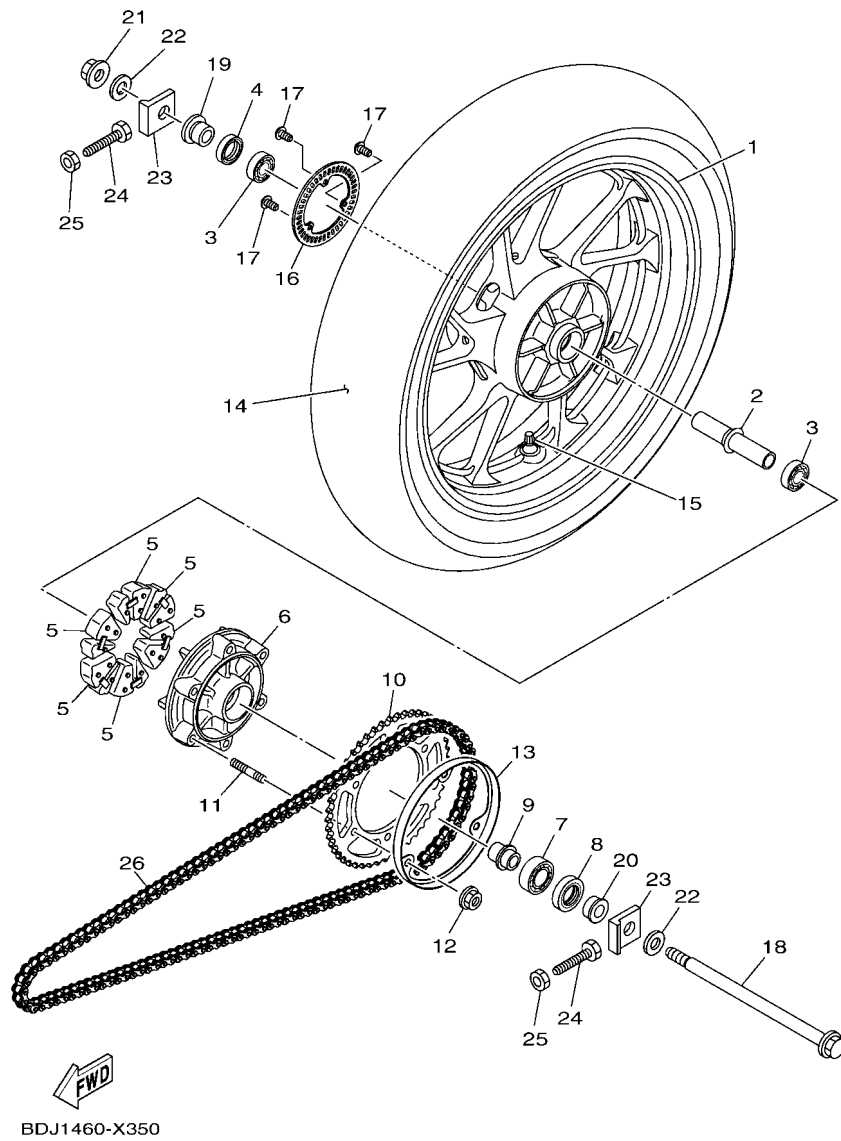


BDJ1460-X330

FIG. 26 FRONT BRAKE CALIPER

REF. NO.	PART NO.	DESCRIPTION	BUA2				REMARKS
1	B97-F582U-00	DISK, BRAKE (RIGHT)	1				
2	90111-08089	BOLT,HEX. SOCKET BUTTON	5				
3	BCW-F580U-00	CALIPER ASSY (RIGHT)	1				
4	54B-W0057-00	.PISTON ASSY, CALIPER	1				
5	54B-W0047-00	..CALIPER SEAL KIT	1				
6	54B-W0048-00	..BLEED SCREW KIT	1				
7	54B-F5937-00	..BOOT 2	1				
8	54B-F5917-00	..BOOT, CALIPER	1				
9	54B-F5939-00	..CLIP, PAD	1				
10	54B-F5914-00	..PIN, SLIDE	1				
11	54B-F5926-00	..BOLT	1				
12	54B-F5919-00	..SUPPORT, PAD	1				
13	B97-W0045-00	..BRAKE PAD KIT	1				
14	54B-F5924-00	..PIN, PAD	1				
15	54B-F5925-00	..CLIP	2				
16	54B-F5916-00	..PLUG	1				
17	90149-10065	SCREW	2				

FIG. 27 REAR WHEEL



REF. NO.	PART NO.	DESCRIPTION	BUA2	REMARKS
1	BC5-F5338-00-33	CAST WHEEL, REAR	1	YB FOR SM12
2	B97-F530S-00	COLLAR ASSY	1	
3	93306-252YP	BEARING	2	
4	93106-22808	OIL SEAL	1	
5	B97-F5364-00	DAMPER	6	
6	BK6-F5366-01	CLUTCH, HUB	1	
7	93306-054XC	BEARING	1	
8	93106-26815	OIL SEAL	1	
9	B97-F5376-00	COLLAR, WHEEL	1	
10	BK6-F5448-00	SPROCKET, DRIVEN (48T)	1	
11	90116-08846	BOLT, STUD	6	
12	95602-08200	NUT, U FLANGE	6	
13	BK6-F5414-00	SPACER	1	
14	94114-17802	TIRE (140/70-17M/C 66S RX-01R)	1	INOUE
15	93900-00824	VALVE, RIM	1	
16	2DP-F517G-00	ROTOR, SENSOR	1	
17	90149-05029	SCREW	3	
18	5BP-F5381-00	AXLE, WHEEL	1	
19	B97-F5377-00	COLLAR, WHEEL	1	
20	B97-F5383-00	COLLAR, WHEEL	1	
21	95602-14200	NUT, SELF-LOCKING	1	
22	90201-15814	WASHER, PLATE	2	
23	1CK-F5388-00	PULLER, CHAIN 1	2	
24	90101-08006	BOLT	2	
25	95302-08700	NUT, HEXAGON	2	
26	9X568-K1127	CHAIN (DID428VIX2 128LL)	1	

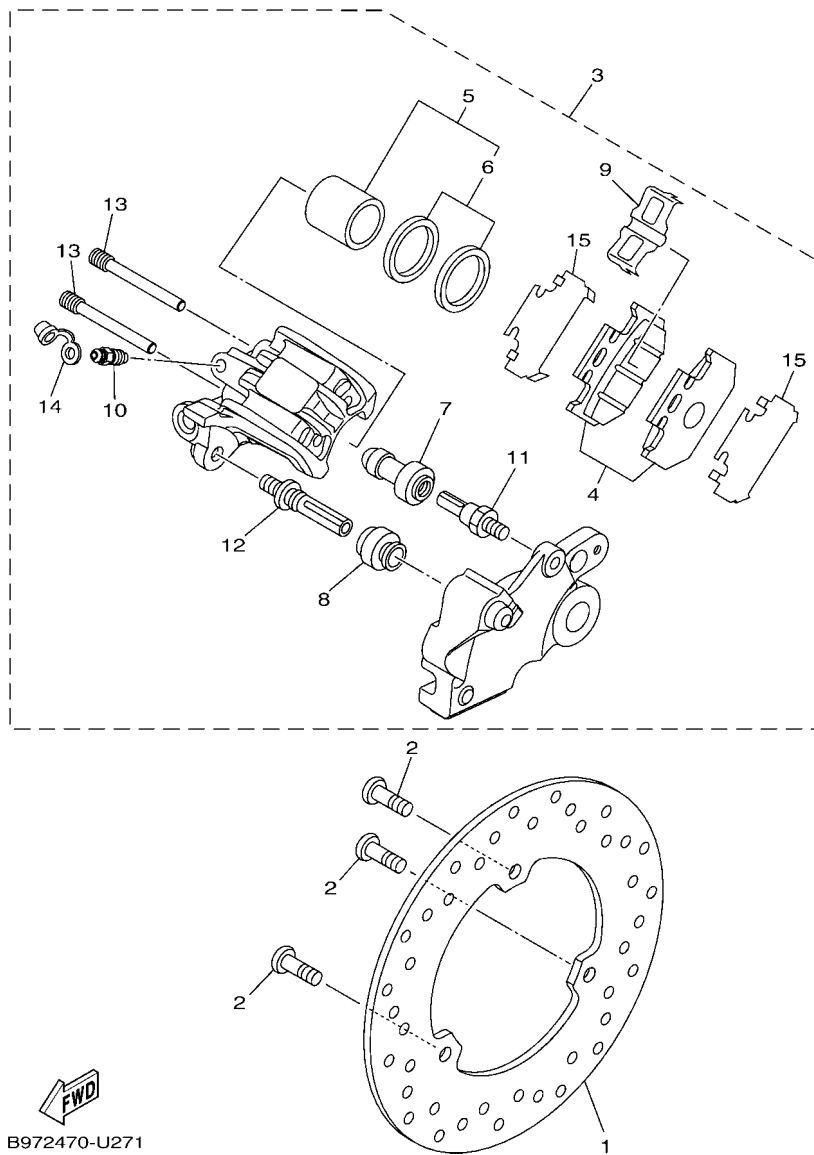
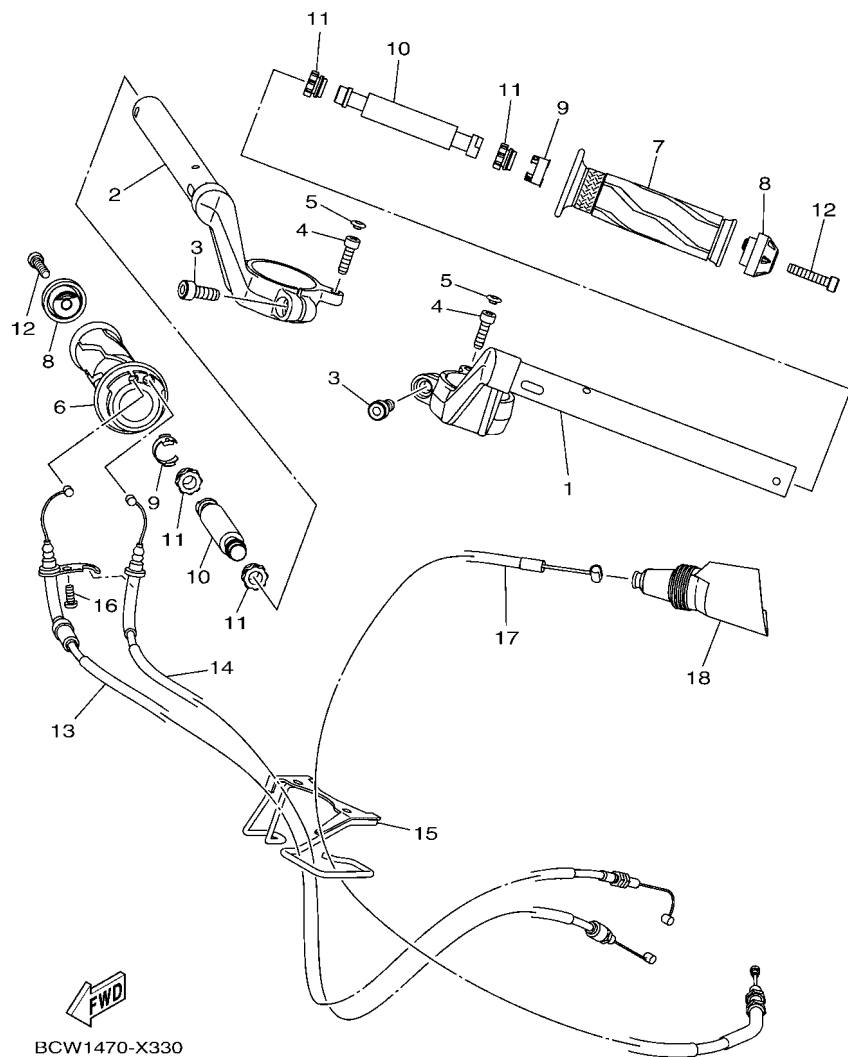


FIG. 28 REAR BRAKE CALIPER

REF. NO.	PART NO.	DESCRIPTION	BUA2				REMARKS
1	B97-F582W-00	DISK, REAR BRAKE 2	1				
2	90111-08089	BOLT,HEX. SOCKET BUTTON	3				
3	BDJ-F580W-00	CALIPER ASSY, REAR 2	1				
4	B97-F5806-00	.BRAKE PAD KIT 2	1				
5	5XT-25802-50	.PISTON ASSY, CALIPER	1				
6	3JD-25803-50	..CALIPER SEAL KIT	1				
7	5HH-F5937-00	.BOOT 2	1				
8	5HH-F5917-00	.BOOT, CALIPER	1				
9	3SP-25919-51	.SUPPORT, PAD	1				
10	5HH-F5824-00	.SCREW, BLEED	1				
11	5HH-F5914-00	.PIN, SLIDE	1				
12	3SP-25926-51	.BOLT	1				
13	3SP-25924-51	.PIN, PAD	2				
14	5HH-F5825-51	.CAP	1				
15	5XT-25827-00	.SHIM, CALIPER	2				

FIG. 29 STEERING HANDLE & CABLE



BCW1470-X330

REF. NO.	PART NO.	DESCRIPTION	BUA2				REMARKS
1	BK6-F6121-00	HANDLEBAR (LEFT)	1				
2	BK6-F6122-00	HANDLEBAR (RIGHT)	1				
3	91317-08020	BOLT,HEX.SOCKET HEAD	2				
4	91317-06020	BOLT,HEX.SOCKET HEAD	2				
5	20P-F3469-00	CAP, BOLT	2				
6	BK7-F6240-01	GRIP ASSY	1				
7	20P-F6241-01	GRIP	1				
8	BK7-F6246-00	END, GRIP	2				
9	1S7-F6257-00	STOPPER	2				
10	1S7-F622H-00	WEIGHT	2				
11	1S7-F622F-00	DAMPER, LOCATING 1	4				
12	91317-06030	BOLT,HEX.SOCKET HEAD	2				
13	BK6-F6311-00	WIRE, THROTTLE 1	1				
14	BK6-F6312-00	CABLE, THROTTLE 2	1				
15	BDJ-F6315-00	GUIDE, WIRE	1				
16	98507-05012	SCREW, PAN HEAD	1				
17	BK6-F6335-00	WIRE, CLUTCH	1				
18	3RS-F6372-00	COVER, HANDLE LEVER 1	1				

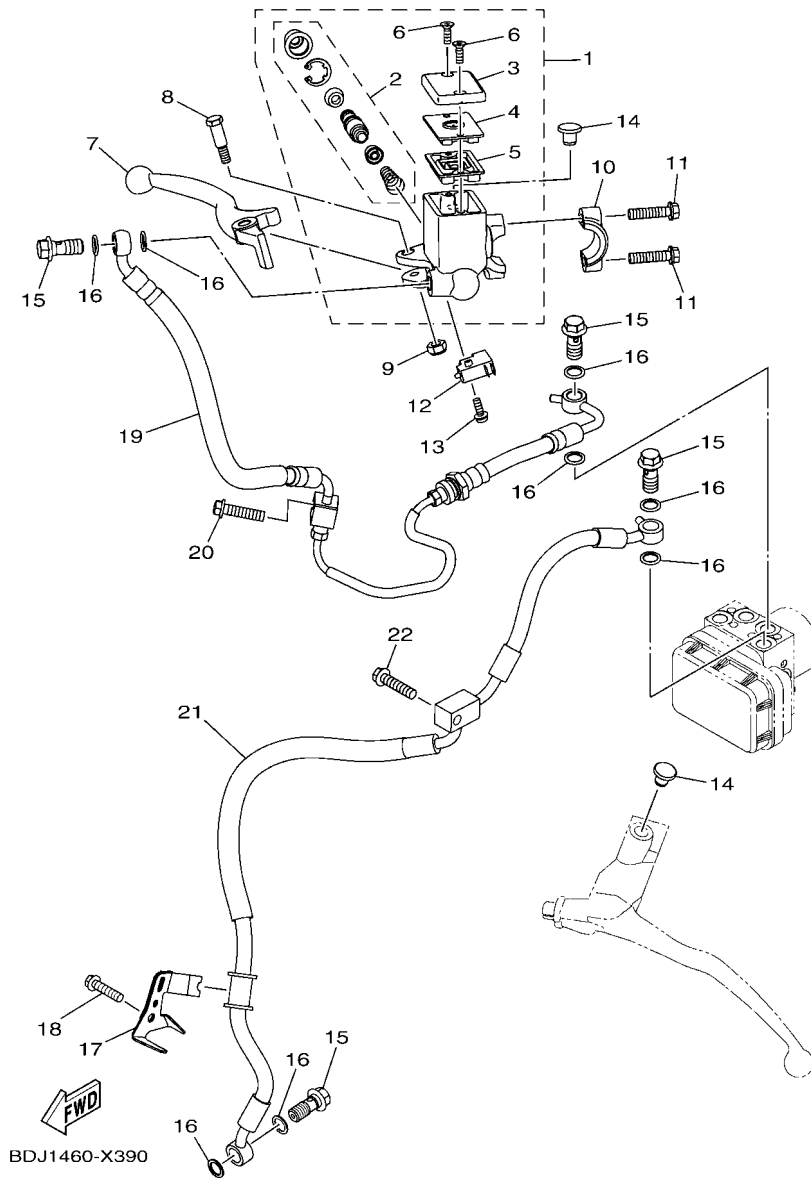
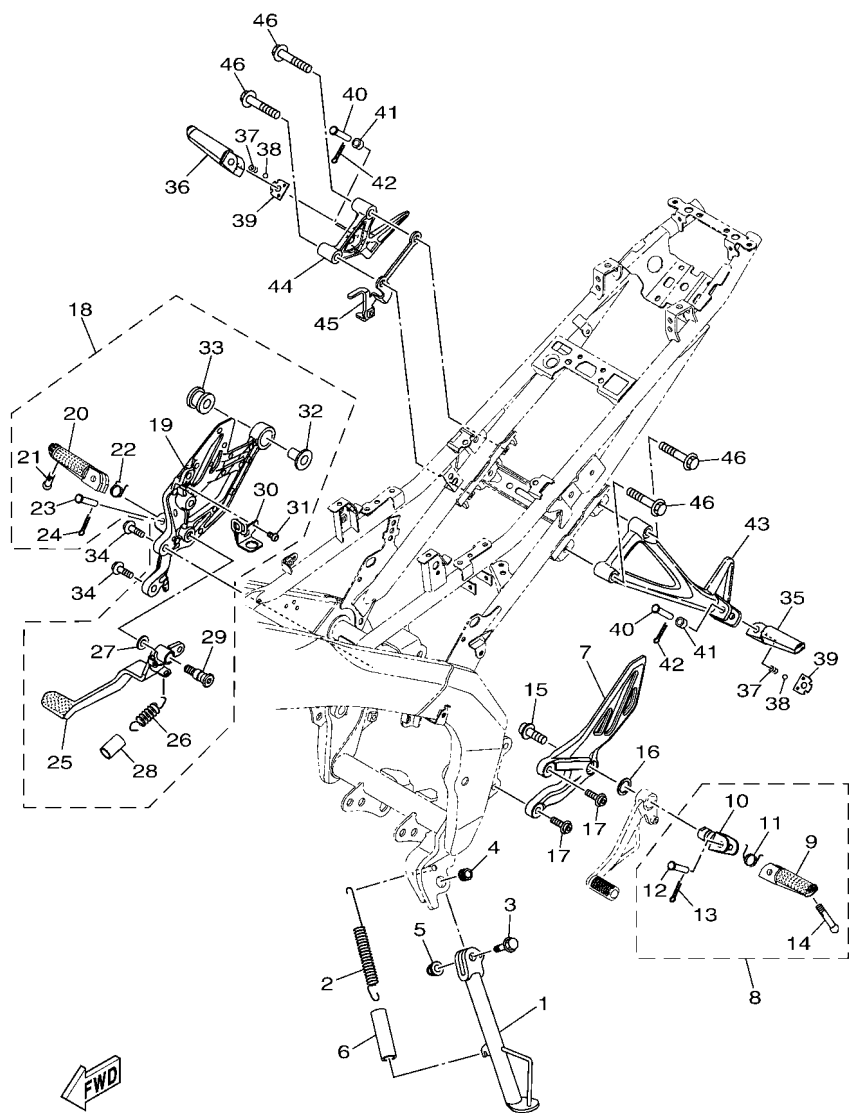


FIG. 30 FRONT MASTER CYLINDER

REF. NO.	PART NO.	DESCRIPTION	BUA2				REMARKS
1	BDJ-F580A-00	MASTER CYLINDER SUB ASSY 2	1				
2	2DP-F5807-10	.CYLINDER KIT, MASTER	1				
3	3GM-F5852-00	.CAP, RESERVOIR	1				
4	3GM-F585B-00	.PLATE, DIAPHRAGM	1				
5	55U-F5854-00	.DIAPHRAGM, RESERVOIR	1				
6	98707-04012	.SCREW, FLAT HEAD	2				
7	BDJ-H3922-00	LEVER 2	1				
8	2DP-F589F-00	BOLT, LEVER	1				
9	95602-06100	NUT, SELF-LOCKING	1				
10	18D-F5867-00	BRACKET, MASTER CYLINDER	1				
11	5HH-F6332-00	BOLT, FLANGE	2				
12	2LP-H3980-10	FRONT STOP SWITCH ASSY	1				
13	97602-04312	SCREW, PAN HEAD WITH WASHER	1				
14	90338-09803	PLUG	2				
15	90401-10830	BOLT, UNION	4				
16	90201-10118	WASHER, PLATE	8				
17	BDJ-F5875-00	HOLDER, BRAKE HOSE 1	1				
18	95027-06025	BOLT, FLANGE	1				
19	B9E-F584A-00	BRAKE HOSE ASSY	1				
20	95022-06025	BOLT, FLANGE	1				
21	BCW-F584B-00	HOSE, BRAKE	1				
22	95022-06025	BOLT, FLANGE	1				

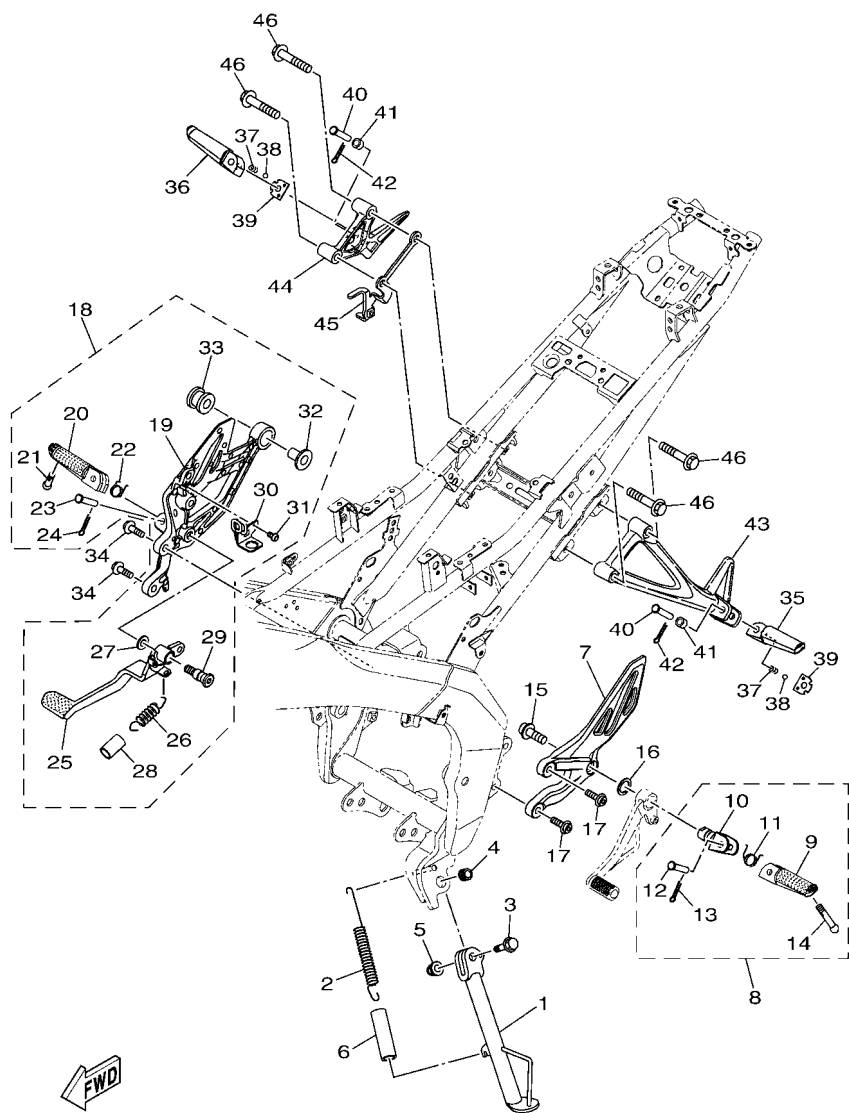
FIG. 31 STAND & FOOTREST



BJA1440-X310

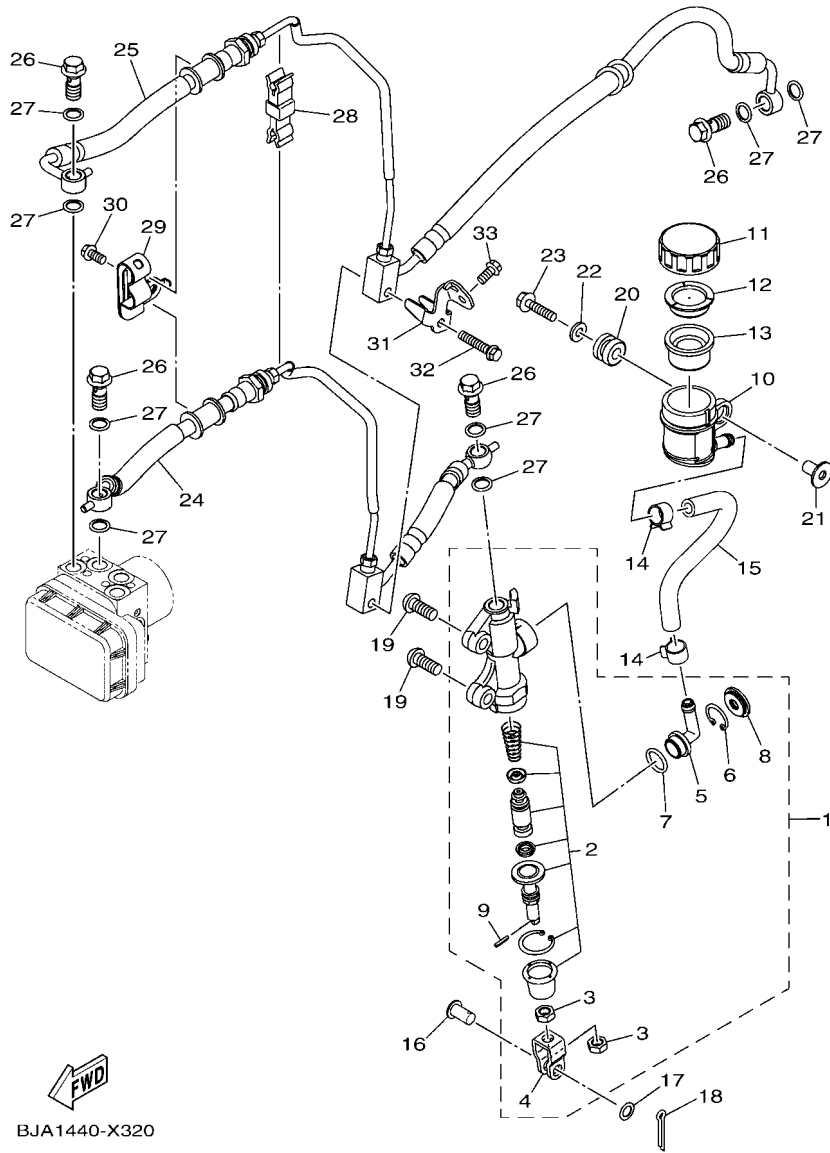
REF. NO.	PART NO.	DESCRIPTION	BJA2	REMARKS
1	BDJ-F7311-00	STAND, SIDE	1	
2	90506-28800	SPRING, TENSION	1	
3	90105-108B9	BOLT, FLANGE	1	
4	90387-10003	COLLAR	1	
5	95602-10200	NUT, S/L FLANGE	1	
6	90445-21848	HOSE (L70)	1	
7	BK6-F7442-00	BRACKET 2	1	
8	BDJ-F7410-00	FRONT FOOTREST ASSY (LEFT)	1	
9	1WD-F7451-00	.FOOTREST	1	
10	5BP-F7411-00	.FOOTREST 1	1	
11	90508-183B9	.SPRING, TORSION	1	
12	91701-08035	.PIN	1	
13	91401-25015	.PIN, COTTER	1	
14	90109-086F8	.BOLT	1	
15	90110-10025	BOLT, HEXAGON SOCKET HEAD	1	
16	90201-173U5	WASHER, PLATE	1	
17	90110-08803	BOLT, HEXAGON SOCKET HEAD	2	
18	BJA-F7404-00	FOOTREST ASSY 2	1	
19	BK6-F7443-00	.BRACKET 3	1	
20	1WD-F7461-00	.FOOTREST	1	
21	90109-086F8	.BOLT	1	
22	90508-184B0	.SPRING, TORSION	1	
23	90240-08145	.PIN, CLEVIS	1	
24	91401-25015	.PIN, COTTER	1	
25	BK7-F7211-00	.PEDAL, BRAKE	1	
26	90506-26807	.SPRING, TENSION	1	
27	90201-10021	.WASHER, PLATE	1	

FIG. 31 STAND & FOOTREST



BJA1440-X310

REF. NO.	PART NO.	DESCRIPTION	BJA2				REMARKS
28	90445-19807	.HOSE	1				
29	BS8-F7261-00	.SHAFT	1				
30	BK6-F144G-10	.STAY, STOP SWITCH	1				
31	92012-06010	.BOLT, BUTTON HEAD	1				
32	90387-08842	.COLLAR	1				
33	BK6-E4747-00	.DAMPER, MUFFLER	1				
34	90110-08803	BOLT, HEXAGON SOCKET HEAD	2				
35	45P-F7431-00	FOOTREST, REAR 1	1				
36	45P-F7441-00	FOOTREST, REAR 2	1				
37	90501-12743	SPRING, COMPRESSION	2				
38	93501-04830	BALL	2				
39	1WD-F7437-00	WASHER, SPECIAL	2				
40	91701-08042	PIN	2				
41	B2S-F7473-00	DAMPER	2				
42	91401-25015	PIN, COTTER	2				
43	BDJ-F741L-10	BRACKET 4	1				
44	BDJ-F742L-10	BRACKET 5	1				
45	BDJ-F582E-00	HOLDER, RESERVE TANK	1				
46	95817-08045	BOLT, FLANGE	4				



BJA1440-X320

FIG. 32 REAR MASTER CYLINDER

REF. NO.	PART NO.	DESCRIPTION	BJA2				REMARKS
1	BDJ-F583V-00	RR. MASTER CYLINDER ASSY.	1				
2	B5G-F5808-00	.CYLINDER KIT, MASTER	1				
3	95302-08700	.NUT, HEXAGON	2				
4	50C-F7222-00	.JOINT	1				
5	50C-F582A-50	.JOINT	1				
6	50C-F5866-00	.CIRCLIP	1				
7	93210-15620	.O-RING	1				
8	50C-F589A-00	.COVER, DUST	1				
9	5BU-27234-00	.PIN, BRAKE ROD	1				
10	50C-F5894-11	TANK, RESERVOIR	1				
11	1WD-F5852-50	CAP, RESERVOIR	1				
12	50C-F5855-00	BUSH,DIAPHRAGM	1				
13	2VN-F5854-00	DIAPHRAGM, RESERVOIR	1				
14	90467-12085	CLIP	2				
15	BDJ-F5895-50	HOSE, RESERVOIR	1				
16	90240-08005	PIN, CLEVIS	1				
17	90201-08066	WASHER, PLATE	1				
18	91401-20012	PIN, COTTER	1				
19	92012-08020	BOLT, BUTTON HEAD	2				
20	55C-F4742-00	GROMMET	1				
21	50C-F6259-00	COLLAR	1				
22	90201-06828	WASHER, PLATE	1				
23	98507-06025	SCREW, PAN HEAD	1				
24	B9E-F584C-01	HOSE, BRAKE	1				
25	B9E-F584D-01	HOSE, BRAKE	1				
26	90401-10830	BOLT, UNION	4				
27	90201-10118	WASHER, PLATE	8				

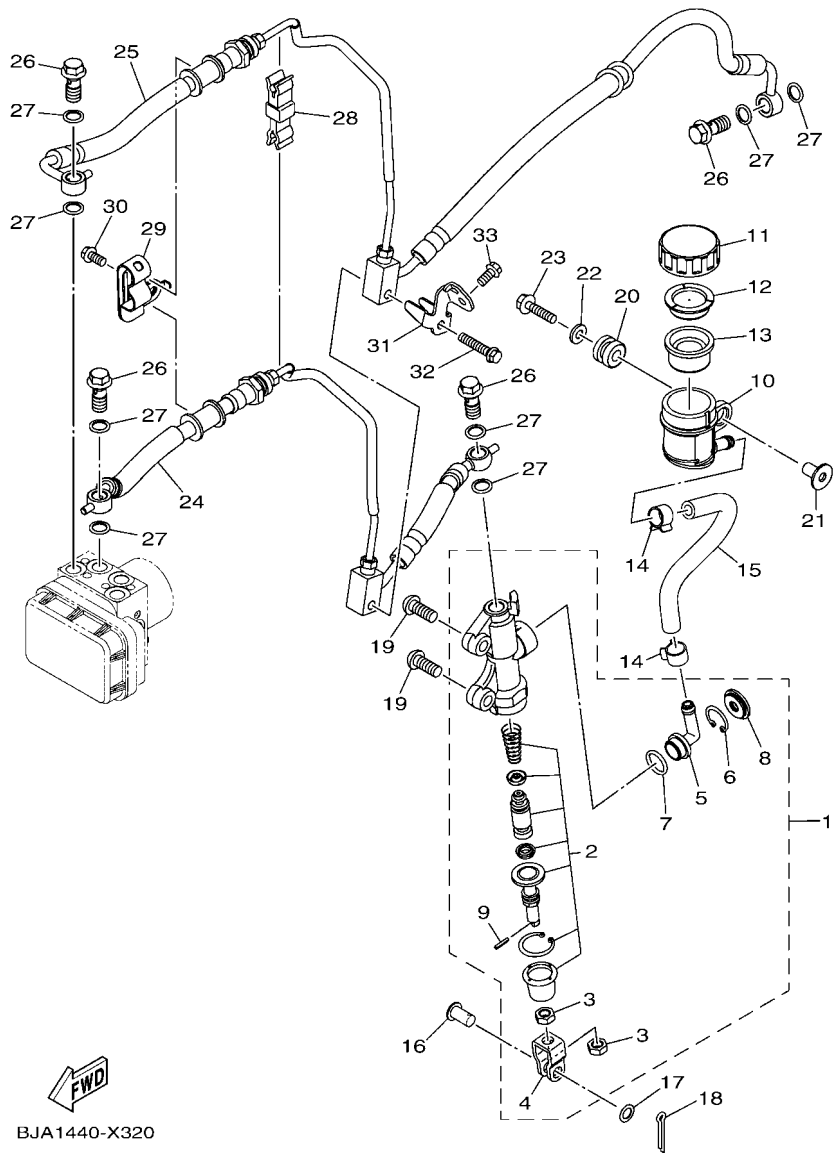
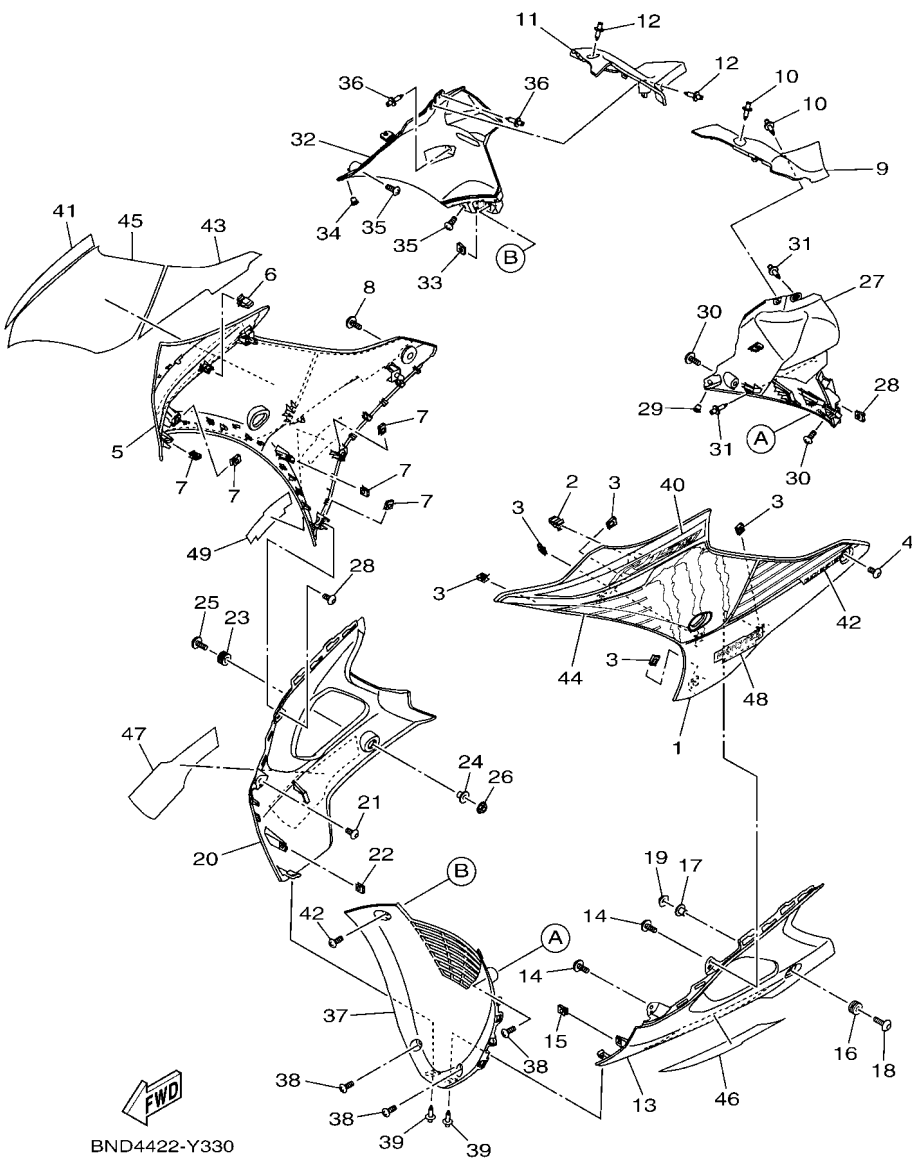


FIG. 32 REAR MASTER CYLINDER

REF. NO.	PART NO.	DESCRIPTION	BJA2				REMARKS
28	90464-06101	CLAMP	1				
29	BDJ-F5886-00	HOLDER, BRAKE HOSE	1				
30	95022-06012	BOLT, FLANGE	1				
31	BDJ-F5887-00	HOLDER, BRAKE HOSE 3	1				
32	95022-06030	BOLT, FLANGE	1				
33	95022-06012	BOLT, FLANGE	1				

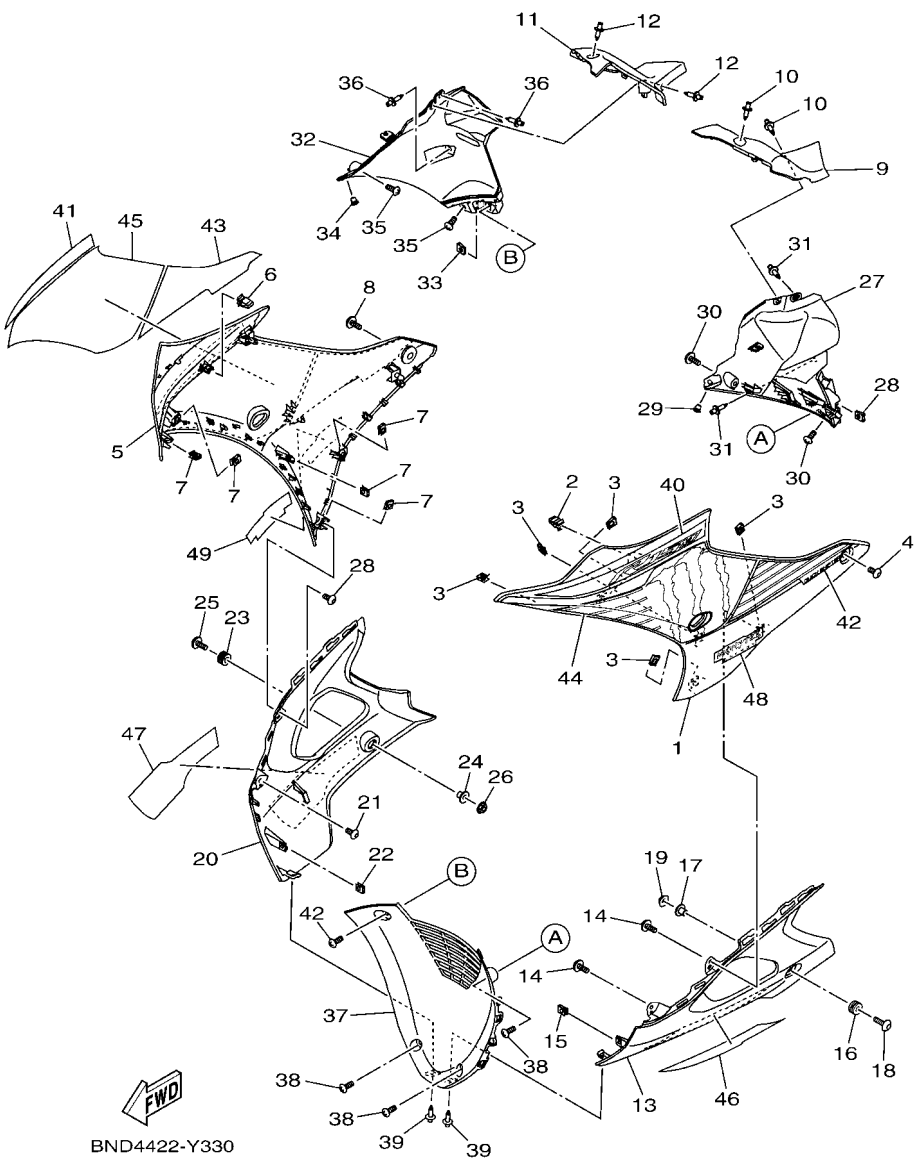
FIG. 33 LEG SHIELD



BND4422-Y330

REF. NO.	PART NO.	DESCRIPTION	BJA2				REMARKS
1	BDJ-F835U-00-P0	PANEL 1	1				SM12
2	90464-07018	CLAMP	1				
3	90183-05807	NUT, SPRING	5				
4	90111-06859	BOLT,HEX. SOCKET BUTTON	1				
5	BDJ-F835V-00-P0	PANEL 2	1				SM12
6	90464-07018	CLAMP	1				
7	90183-05807	NUT, SPRING	5				
8	90111-06859	BOLT,HEX. SOCKET BUTTON	1				
9	BDJ-F837L-00	PANEL, CONSOLE 1	1				
10	90269-06813	RIVET	2				
11	BDJ-F837M-00	PANEL, CONSOLE 2	1				
12	90269-06813	RIVET	2				
13	BDJ-F8385-00-P2	COVER, UNDER	1				SM12
14	97707-50016	SCREW, TRUSS HEAD TAPPING	2				
15	90183-05807	NUT, SPRING	1				
16	90480-12805	GROMMET	1				
17	90387-06899	COLLAR	1				
18	90149-06829	SCREW	1				
19	90179-06841	NUT	1				
20	BDJ-F8395-00-P2	COVER, UNDER 2	1				SM12
21	97707-50016	SCREW, TRUSS HEAD TAPPING	2				
22	90183-05807	NUT, SPRING	1				
23	90480-12805	GROMMET	1				
24	90387-06899	COLLAR	1				
25	90149-06829	SCREW	1				
26	90179-06841	NUT	1				
27	BDJ-F836K-00	PANEL, INNER 1	1				

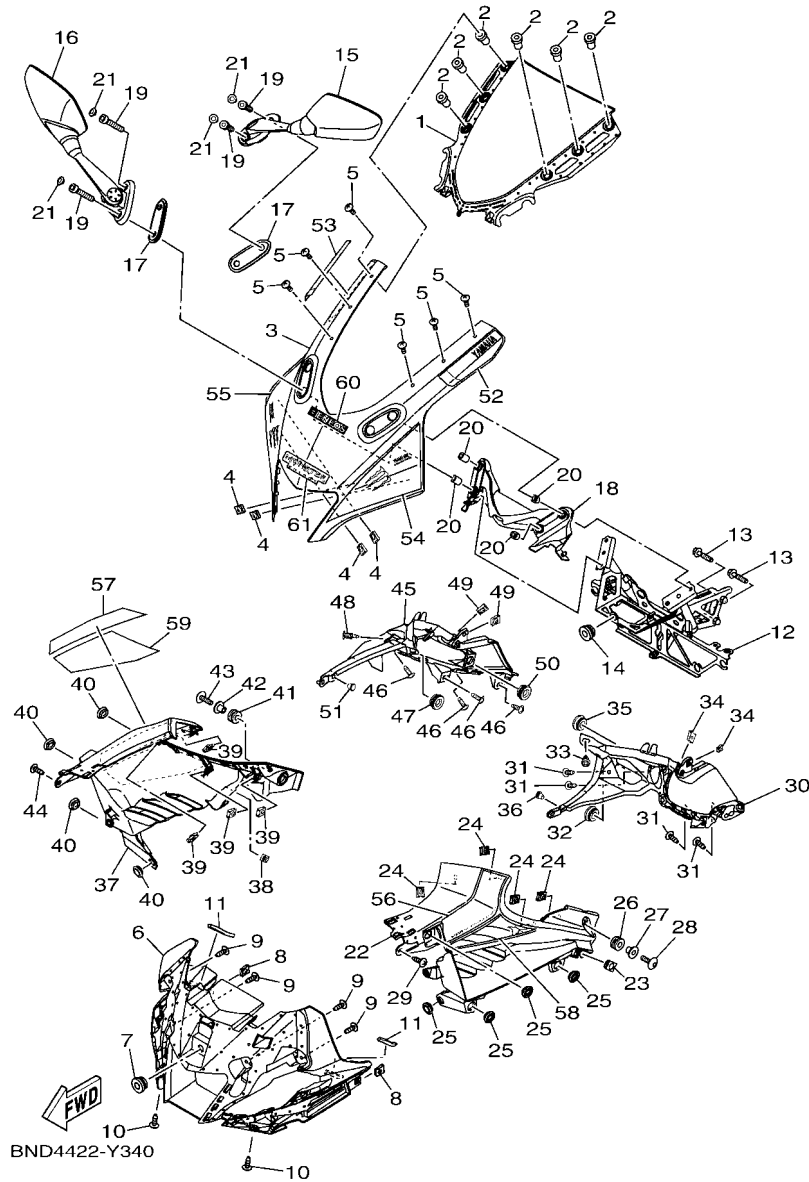
FIG. 33 LEG SHIELD



BND4422-Y330

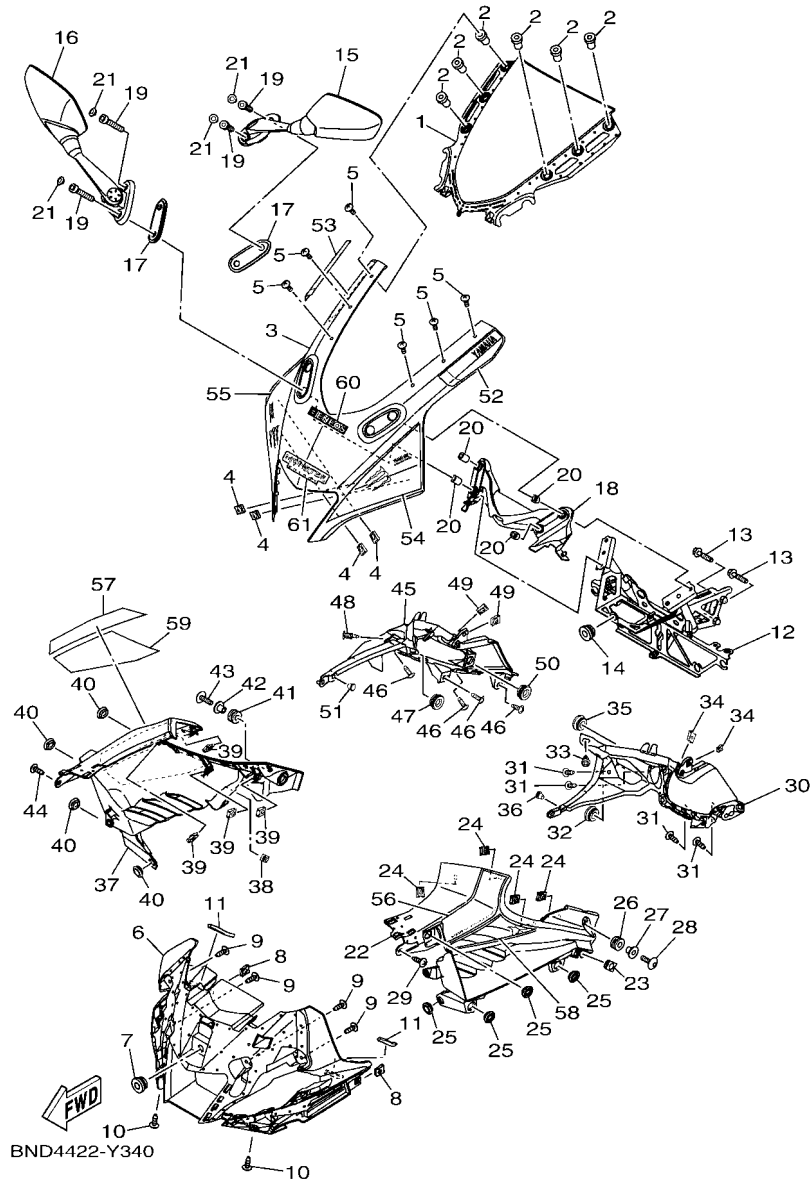
REF. NO.	PART NO.	DESCRIPTION	BUA2				REMARKS
28	90183-05807	NUT, SPRING	1				
29	90338-06018	PLUG	1				
30	97707-50016	SCREW, TRUSS HEAD TAPPING	2				
31	90269-06813	RIVET	2				
32	BDJ-F836L-00	PANEL, INNER 2	1				
33	90183-05807	NUT, SPRING	1				
34	90338-06018	PLUG	1				
35	97707-50016	SCREW, TRUSS HEAD TAPPING	2				
36	90269-06813	RIVET	2				
37	BDJ-F836M-00	PANEL, INNER 3	1				
38	97707-50016	SCREW, TRUSS HEAD TAPPING	4				
39	90269-06813	RIVET	2				
40	BND-F8398-00	GRAPHIC 5	1				
41	BND-F8399-00	GRAPHIC 6	1				
42	BND-F839A-00	GRAPHIC 7	1				
43	BND-F839E-00	GRAPHIC 8	1				
44	BND-F839F-00	GRAPHIC 9	1				
45	BND-F839G-00	GRAPHIC 10	1				
46	BND-F839J-00	GRAPHIC 11	1				
47	BND-F832K-00	GRAPHIC, 12	1				
48	BND-F83AS-00	GRAPHIC 19	1				
49	BND-F83AS-00	GRAPHIC 19	1				

FIG. 34 WINDSHIELD



REF. NO.	PART NO.	DESCRIPTION	BUA2	REMARKS
1	BDJ-F8381-00	WINDSHIELD	1	
2	90179-05849	NUT	6	
3	BDJ-F8351-00-P2	BODY, COWLING	1	SM12
4	90183-05807	NUT, SPRING	4	
5	90150-05024	SCREW, ROUND HEAD	6	
6	BDJ-F835G-00	BODY, FRONT UPPER 1	1	
7	90480-13398	GROMMET	1	
8	90183-05807	NUT, SPRING	2	
9	97702-50016	SCREW, TAPPING	4	
10	97707-50016	SCREW, TRUSS HEAD TAPPING	2	
11	90520-05838	DAMPER, PLATE	2	
12	BDJ-F8356-00	STAY 1	1	
13	90105-08002	BOLT, FLANGE	2	
14	90480-13567	GROMMET	1	
15	BK7-F6280-00	REAR VIEW MIRROR ASSY (LEFT)	1	
16	BK7-F6290-00	REAR VIEW MIRROR ASSY (RIGHT)	1	
17	BDJ-F8483-00	PLATE, RUBBER 1	2	
18	BDJ-F8484-00	PLATE, RUBBER 2	1	
19	91317-06030	BOLT, HEX. SOCKET HEAD	4	
20	90387-06131	COLLAR	4	
21	20P-F3469-00	CAP, BOLT	4	
22	BDJ-F117V-00-P3	COVER 7	1	SM12
23	90183-06818	NUT, SPRING	1	
24	90183-05807	NUT, SPRING	4	
25	90480-01559	GROMMET	4	
26	90480-12805	GROMMET	1	
27	90387-06899	COLLAR	1	

FIG. 34 WINDSHIELD



REF. NO.	PART NO.	DESCRIPTION	BUA2	REMARKS
28	90149-06829	SCREW	1	
29	97702-50012	SCREW, TAPPING	1	
30	BDJ-F172G-00	PANEL 3	1	
31	97702-50016	SCREW, TAPPING	4	
32	90480-13567	GROMMET	1	
33	90269-06813	RIVET	1	
34	90183-05807	NUT, SPRING	2	
35	90480-13398	GROMMET	1	
36	90338-06018	PLUG	1	
37	BDJ-F117W-00-P3	COVER 8	1	SM12
38	90183-06818	NUT, SPRING	1	
39	90183-05807	NUT, SPRING	4	
40	90480-01559	GROMMET	4	
41	90480-12805	GROMMET	1	
42	90387-06899	COLLAR	1	
43	90149-06829	SCREW	1	
44	97702-50012	SCREW, TAPPING	1	
45	BDJ-F172H-00	PANEL 4	1	
46	97702-50016	SCREW, TAPPING	4	
47	90480-13567	GROMMET	1	
48	90269-06813	RIVET	1	
49	90183-05807	NUT, SPRING	2	
50	90480-13398	GROMMET	1	
51	90338-06018	PLUG	1	
52	BND-F8391-00	GRAPHIC 1	1	
53	BND-F8392-00	GRAPHIC 2	1	
54	BND-F8393-00	GRAPHIC 3	1	

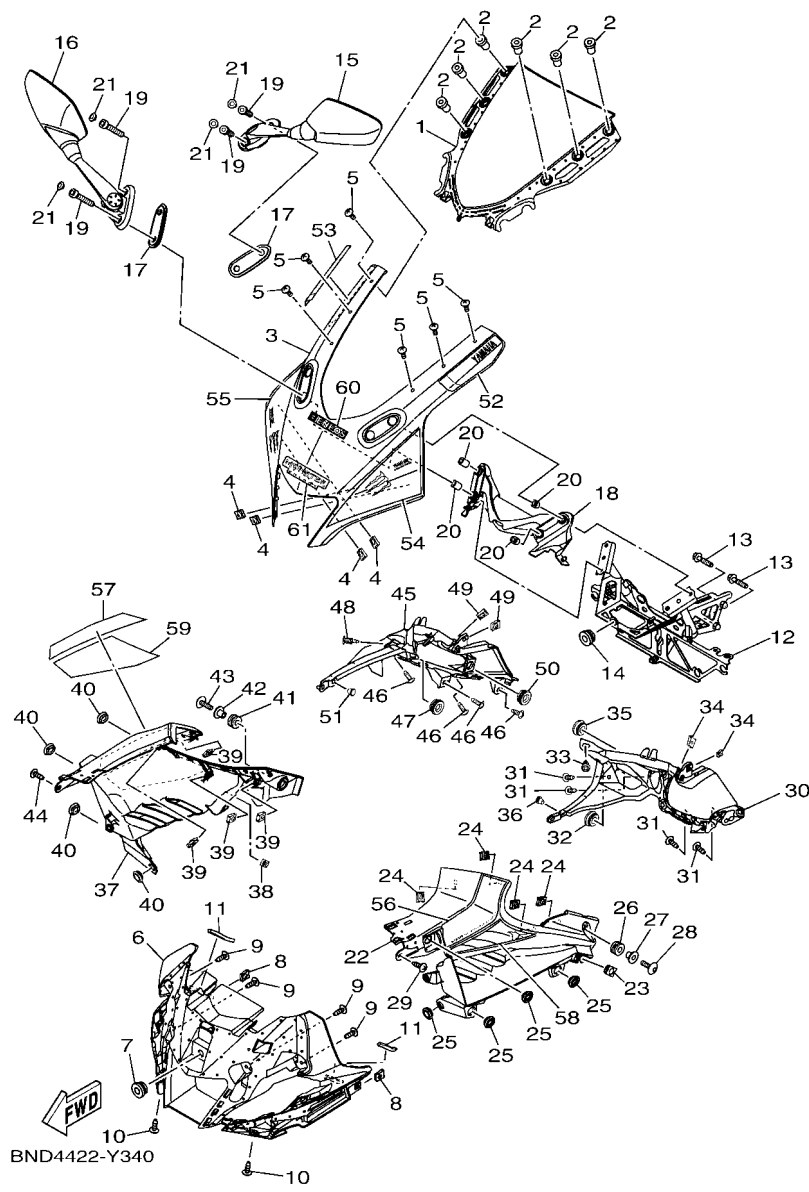


FIG. 34 WINDSHIELD

REF. NO.	PART NO.	DESCRIPTION	BJA2				REMARKS
55	BND-F8394-00	GRAPHIC 4	1				
56	BND-F83GG-00	GRAPHIC, 13	1				
57	BND-F83GH-00	GRAPHIC, 14	1				
58	BND-F832B-00	GRAPHIC, 15	1				
59	BND-F832C-00	GRAPHIC, 16	1				
60	BND-F832D-00	GRAPHIC 17	1				
61	BND-F83AR-00	GRAPHIC, 18	1				

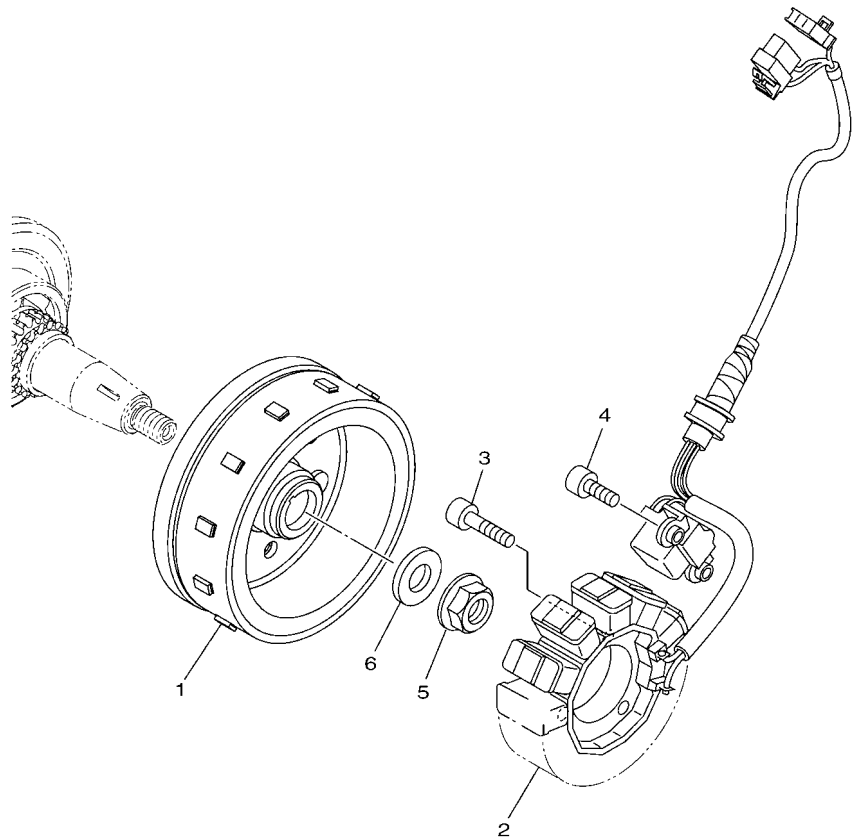
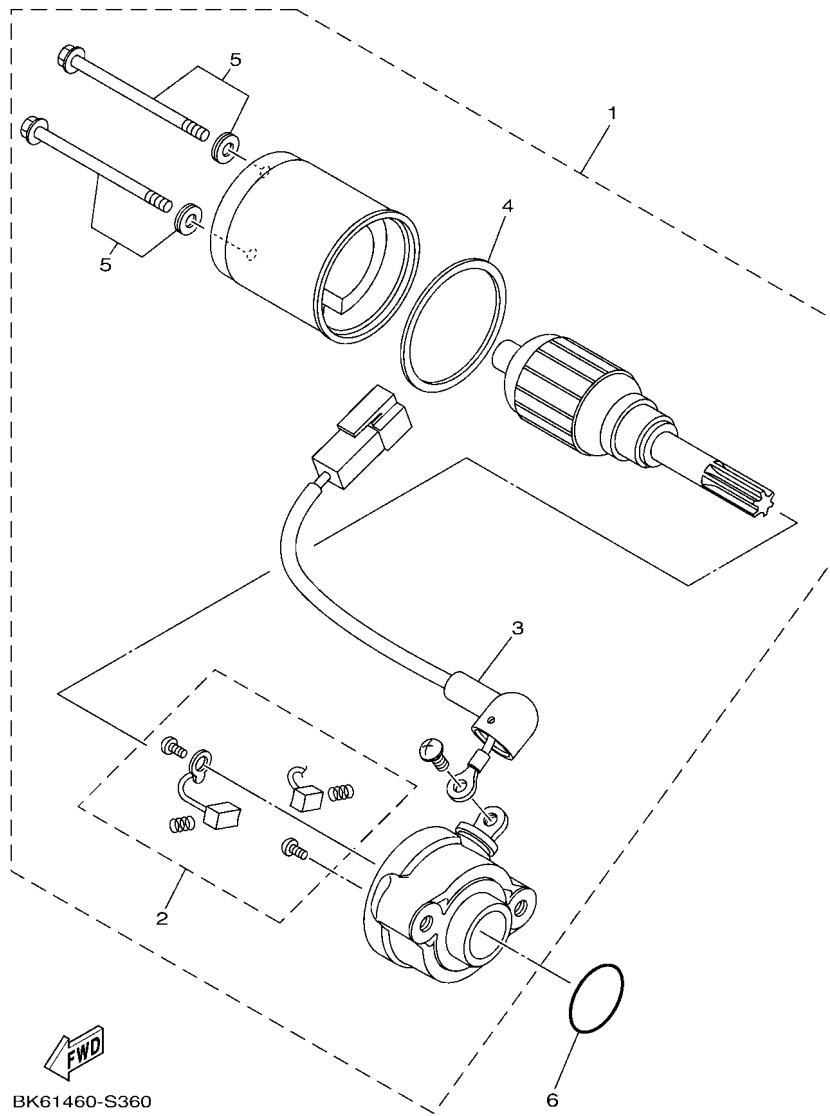


FIG. 35 GENERATOR

REF. NO.	PART NO.	DESCRIPTION	BJA2					REMARKS
1	2PV-H1450-01	ROTOR ASSY	1					
2	BK6-H1410-03	STATOR ASSY	1					
3	91332-06025	BOLT	3					
4	91332-06016	BOLT	2					
5	95702-12500	NUT, FLANGE	1					
6	90201-12019	WASHER, PLATE	1					

 BK61460-S350

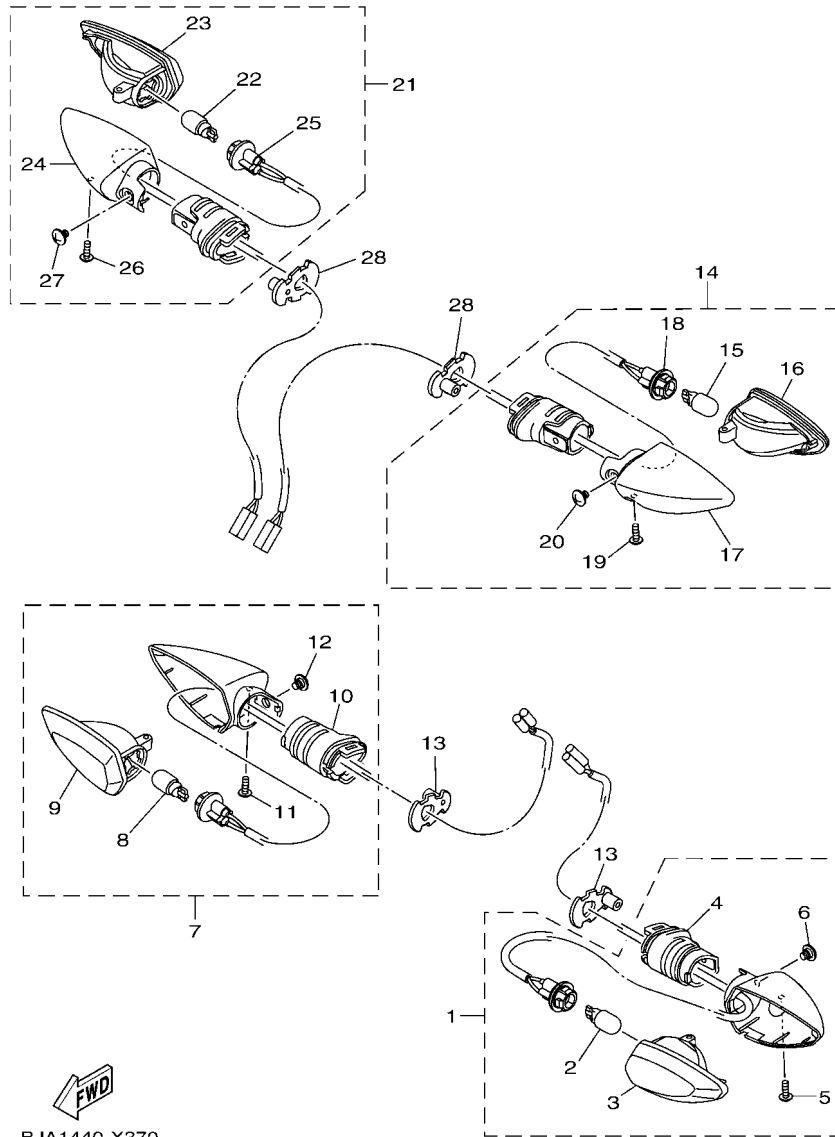


BK61460-S360

FIG. 36 STARTING MOTOR

REF. NO.	PART NO.	DESCRIPTION	BUA2				REMARKS
1	BK6-H1800-00	STARTING MOTOR ASSY	1				
2	2PH-H1801-10	.BRUSH SET	1				
3	1FD-H183G-00	.CORD COMP.	1				
4	5D9-H1861-00	.GASKET	1				
5	5D9-H1828-00	.SCREW SET	2				
6	93210-26805	O-RING	1				

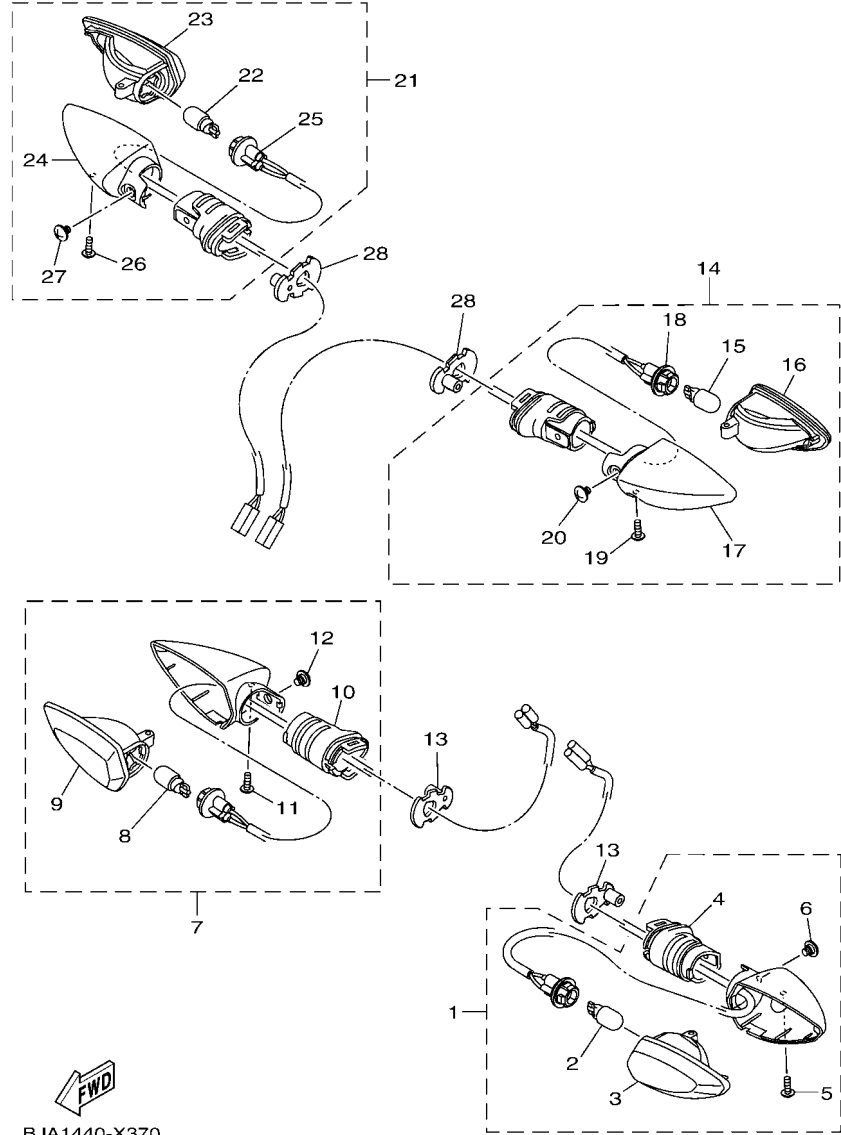
FIG. 37 FLASHER LIGHT



FWD
BJA1440-X370

REF. NO.	PART NO.	DESCRIPTION	BJA2				REMARKS
1	BJA-H3310-00	FRONT FLASHER LIGHT ASSY 1	1				
2	55D-H3311-00	.BULB, FLASHER (12V-10W)	1				
3	55D-H334A-00	.LENS COMP 2	1				
4	55D-H3328-00	.STAY, FLASHER 2	1				
5	55D-H3333-00	.SCREW, LENS FITTING	1				
6	55D-H3358-00	.SCREW, SPECIAL	1				
7	BJA-H3320-00	FRONT FLASHER LIGHT ASSY 2	1				
8	55D-H3311-00	.BULB, FLASHER (12V-10W)	1				
9	55D-H333A-00	.LENS COMP 1	1				
10	55D-H3328-00	.STAY, FLASHER 2	1				
11	55D-H3333-00	.SCREW, LENS FITTING	1				
12	55D-H3358-00	.SCREW, SPECIAL	1				
13	1VP-H3318-00	STAY, FLASHER 1	2				
14	B2S-H3330-00	REAR FLASHER LIGHT ASSY 1	1				
15	55D-H3311-00	.BULB, FLASHER (12V-10W)	1				
16	55D-H333A-00	.LENS COMP 1	1				
17	55D-H3323-00	.BODY	1				
18	B2S-H333E-00	.CORD ASSY	1				
19	55D-H3333-00	.SCREW, LENS FITTING	1				
20	55D-H3358-00	.SCREW, SPECIAL	1				
21	B2S-H3340-00	REAR FLASHER LIGHT ASSY 2	1				
22	55D-H3311-00	.BULB, FLASHER (12V-10W)	1				
23	55D-H334A-00	.LENS COMP 2	1				
24	55D-H332M-00	.BODY 2	1				
25	B2S-H334E-00	.CORD ASSY	1				
26	55D-H3333-00	.SCREW, LENS FITTING	1				
27	55D-H3358-00	.SCREW, SPECIAL	1				

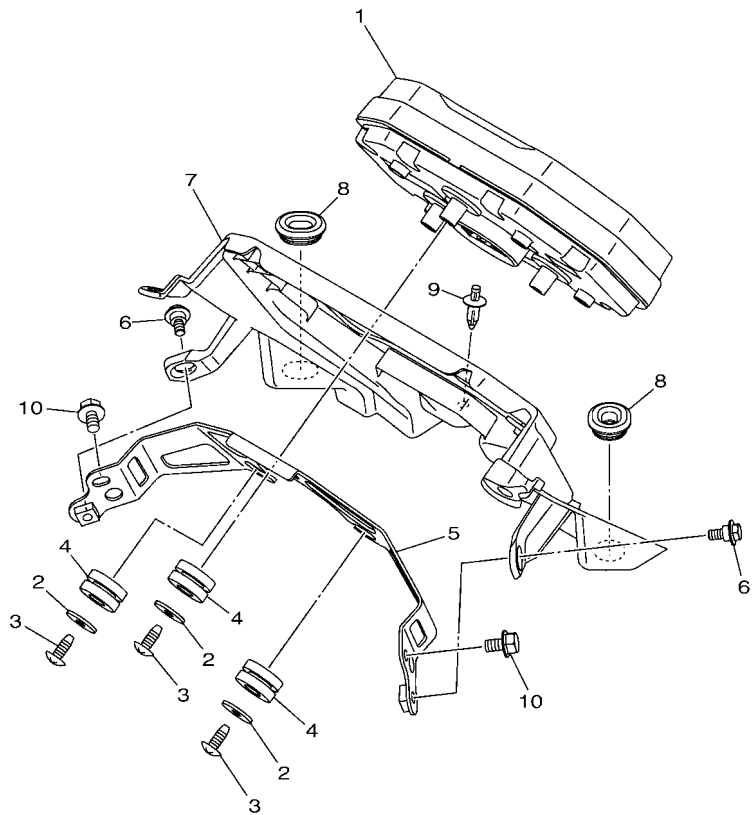
FIG. 37 FLASHER LIGHT



BJA1440-X370

REF. NO.	PART NO.	DESCRIPTION	BJA2						REMARKS
28	1VP-H3318-00	STAY, FLASHER 1	2						

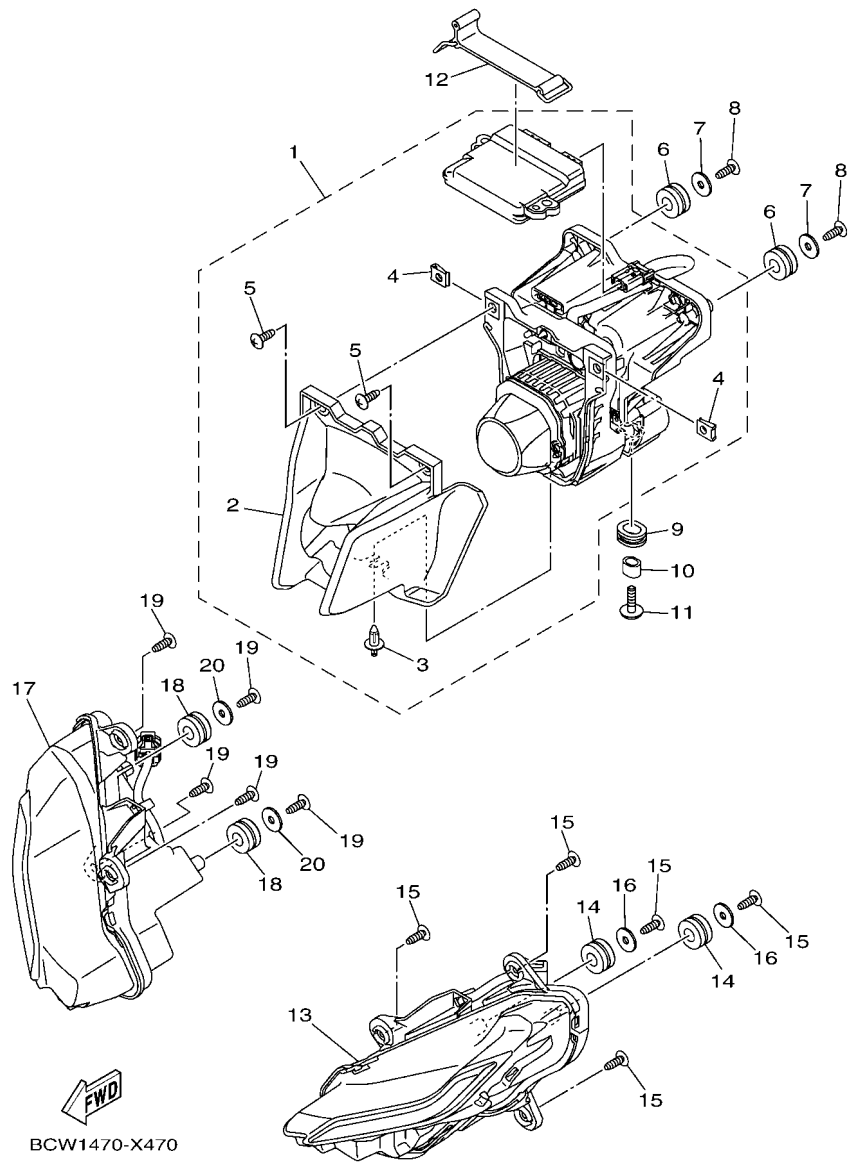
FIG. 38 METER



REF. NO.	PART NO.	DESCRIPTION	BJA2				REMARKS
1	BDJ-H3500-01	METER ASSY	1				
2	90201-05036	WASHER, PLATE	3				
3	97702-50014	SCREW, TAPPING	3				
4	90480-14816	GROMMET	3				
5	BDJ-H3519-00	BRACKET, METER	1				
6	95D32-06010	BOLT, FLANGE DEEP RECESS	2				
7	BDJ-H3559-00	COVER, METER	1				
8	90480-01559	GROMMET	2				
9	90269-06813	RIVET	1				
10	90109-05014	BOLT	2				

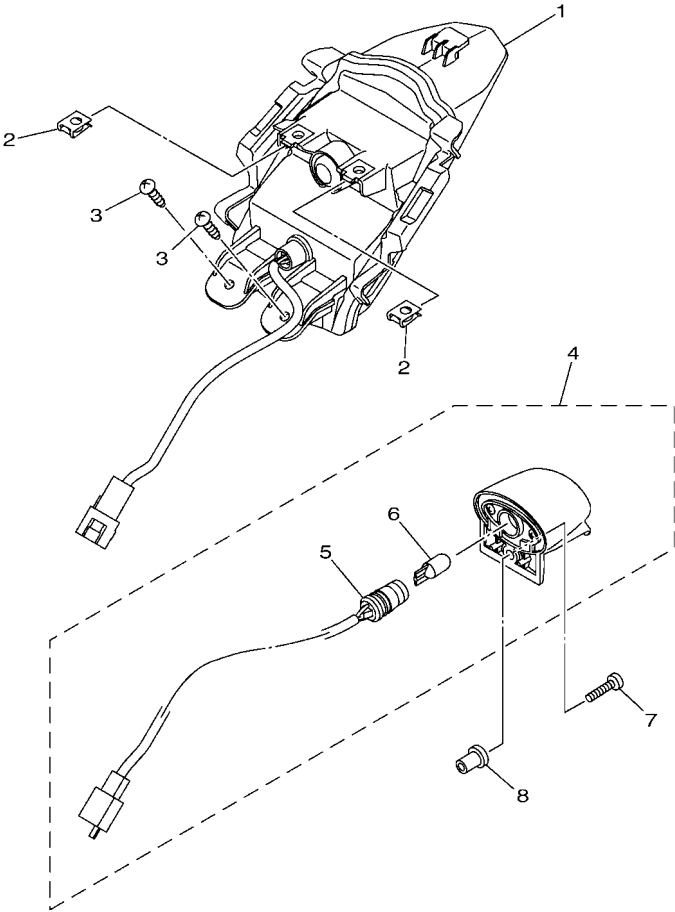

BCW1470-X460

FIG. 39 HEADLIGHT



REF. NO.	PART NO.	DESCRIPTION	BJA2				REMARKS
1	BCW-H4300-01	HEADLIGHT ASSY	1				
2	BCW-F838E-00	.COVER, HEADLIGHT	1				
3	90269-06816	.RIVET	1				
4	90183-05807	.NUT, SPRING	2				
5	97707-50016	.SCREW, TRUSS HEAD TAPPING	2				
6	90480-14816	GROMMET	2				
7	90201-05036	WASHER, PLATE	2				
8	97702-50016	SCREW, TAPPING	2				
9	90480-01811	GROMMET	1				
10	20P-F1749-00	COLLAR	1				
11	90149-06829	SCREW	1				
12	3C1-H2131-00	BAND, BATTERY	1				
13	BDJ-H4301-00	PILOT LIGHT ASSY 1	1				
14	90480-14816	GROMMET	2				
15	97702-50016	SCREW, TAPPING	5				
16	90201-05036	WASHER, PLATE	2				
17	BDJ-H4302-00	PILOT LIGHT ASSY 2	1				
18	90480-14816	GROMMET	2				
19	97702-50016	SCREW, TAPPING	5				
20	90201-05036	WASHER, PLATE	2				

FIG. 40 TAILLIGHT



BJA1440-X400

REF. NO.	PART NO.	DESCRIPTION	BJA2				REMARKS
1	BK7-H4710-00	TAILLIGHT UNIT ASSY	1				
2	90183-05807	NUT, SPRING	2				
3	97707-50016	SCREW, TRUSS HEAD TAPPING	2				
4	BJA-H4740-00	LICENSE LIGHT ASSY	1				
5	BJA-H4547-00	.CORD, LICENSE LIGHT	1				
6	B17-H4744-00	.BULB (12V-5W)	1				
7	98907-04020	SCREW, BIND	1				
8	90179-04579	NUT	1				

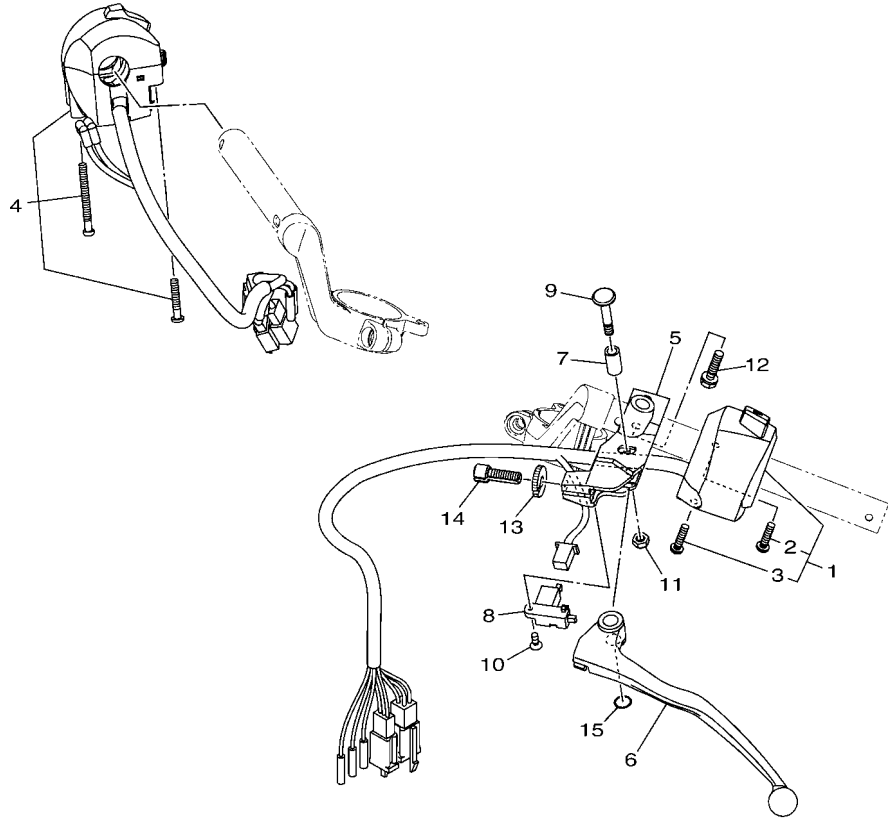


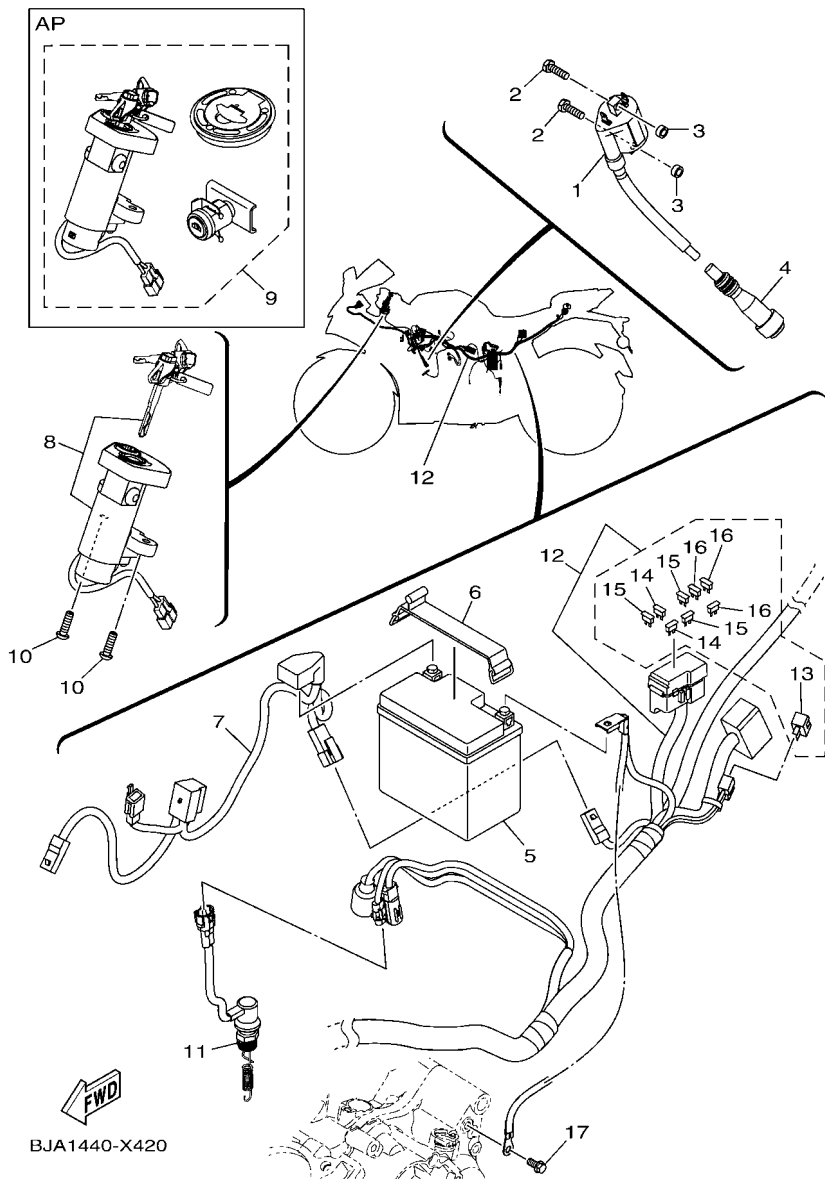
FIG. 41 HANDLE SWITCH & LEVER

REF. NO.	PART NO.	DESCRIPTION	BJA2				REMARKS
1	BK6-H3972-00	SWITCH, HANDLE 4	1				
2	1WD-H2133-00	.SCREW, FITTING	1				
3	BK6-H395W-00	.SCREW, SWITCH FITTING	1				
4	BDJ-H291R-00	SW., HANDLE RH	1				
5	3KA-H2911-00	HOLDER, LEVER 1	1				
6	2TP-H3912-00	LEVER 1	1				
7	3KA-H3913-00	COLLAR, LEVER 1	1				
8	5BP-H2917-00	SWITCH	1				
9	3KA-H3945-00	BOLT, LEVER	1				
10	90151-03005	SCREW, COUNTERSUNK	1				
11	95602-06100	NUT, SELF-LOCKING	1				
12	97507-06525	BOLT, WITH WASHER	1				
13	90179-08148	NUT	1				
14	90123-08046	BOLT	1				
15	93210-108H5	O-RING	1				



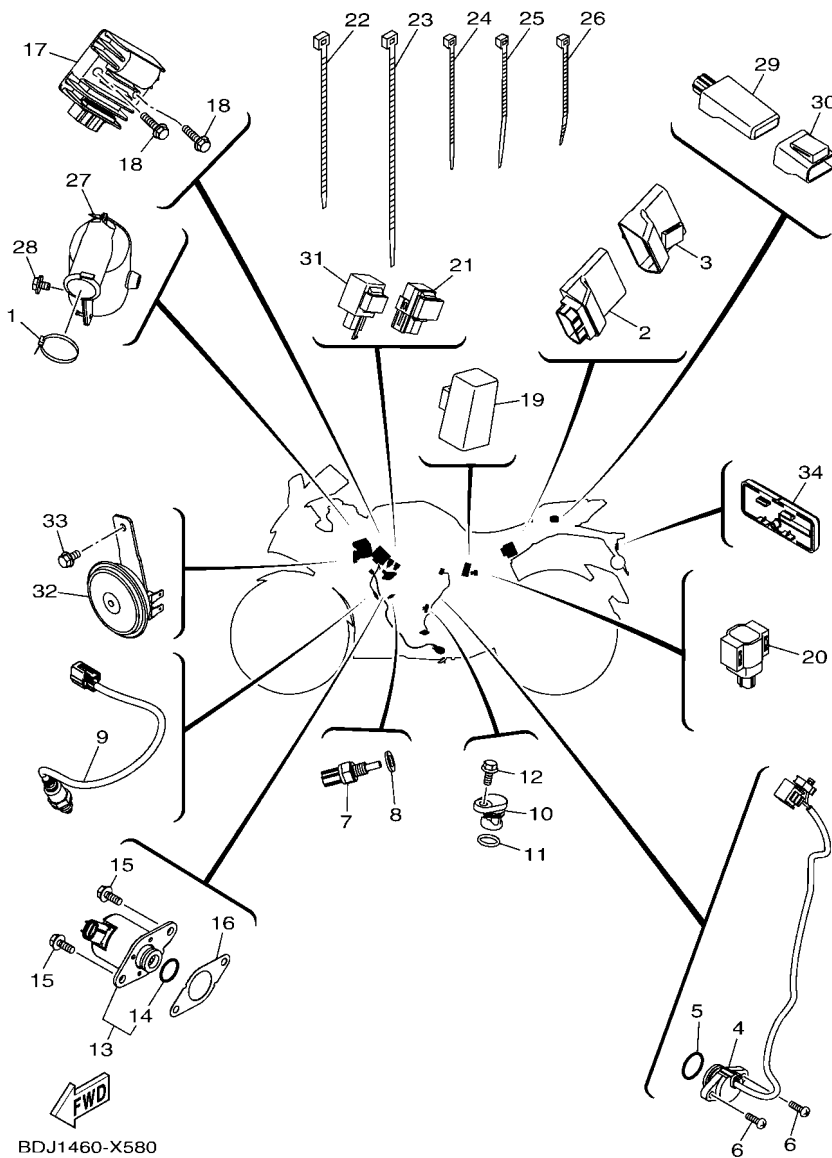
BDJ1460-X540

FIG. 42 ELECTRICAL 1



BJA1440-X420

REF. NO.	PART NO.	DESCRIPTION	BJA2				REMARKS
1	BDJ-H2310-00	IGNITION COIL ASSY	1				
2	97080-06020	BOLT	2				
3	90387-06M30	COLLAR	2				
4	BK6-H2370-00	PLUG CAP ASSY	1				
5	BBM-H2100-00	BATTERY ASSY (YUASA YTZ6V)	1				
6	BDJ-H2131-00	BAND, BATTERY	1				
7	BDJ-H2115-00	WIRE, PLUS LEAD	1				
8	BDJ-H252E-00	MAIN SWITCH COMP.	1				
9	BDJ-XH250-00	MAIN SW. STRG. LOCK SUB ASSY	1				AP
10	90111-06177	BOLT, HEX. SOCKET BUTTON	2				
11	BJA-H2530-00	STOP SWITCH ASSY	1				
12	BDJ-H2590-00	WIRE HARNESS ASSY	1				
13	3WP-81980-00	.DIODE ASSY	1				
14	B65-H2151-60	.FUSE (30A)	2				
15	B65-H2151-10	.FUSE (15A)	3				
16	B65-H2151-80	.FUSE (2A)	3				
17	95E32-06012	BOLT, FLANGE DEEP RECESS	1				



BDJ1460-X580

FIG. 43 ELECTRICAL 2

REF. NO.	PART NO.	DESCRIPTION	BUA2				REMARKS
1	90464-36005	CLAMP	1				
2	BDJ-H591A-00	ENGINE CONTROL UNIT ASSY	1				
3	BDJ-H5546-00	BAND	1				
4	BK6-H2540-01	NEUTRAL SWITCH ASSY	1				
5	93210-21801	O-RING	1				
6	98502-05016	SCREW, PAN HEAD	2				
7	52B-H3591-00	THERMO UNIT	1				
8	90430-10806	GASKET	1				
9	2DP-H592A-20	SENSOR, OXYGEN	1				
10	B9E-E5189-00	PLUG	1				
11	93210-15806	O-RING	1				
12	95812-06014	BOLT, FLANGE	1				
13	BK6-H6110-10	SOLENOID	1				
14	BK6-H1847-00	.O-RING	1				
15	95D32-06016	BOLT, FLANGE DEEP RECESS	2				
16	BK6-H1861-00	GASKET	1				
17	BK6-H1960-00	RECTIFIER & REGULATOR ASSY	1				
18	95D02-06025	BOLT, FLANGE DEEP RECESS	2				
19	5TP-H1940-01	STARTER RELAY ASSY	1				
20	1PA-H2576-00	SENSOR, LEAN ANGLE	1				
21	BK6-H1950-00	RELAY ASSY	1				
22	90464-50800	CLAMP	5				
23	90464-70800	CLAMP	1				
24	90464-36800	CLAMP	4				
25	90464-36005	CLAMP	1				
26	90464-22800	CLAMP	5				
27	20P-H246B-03	COVER 1	1				

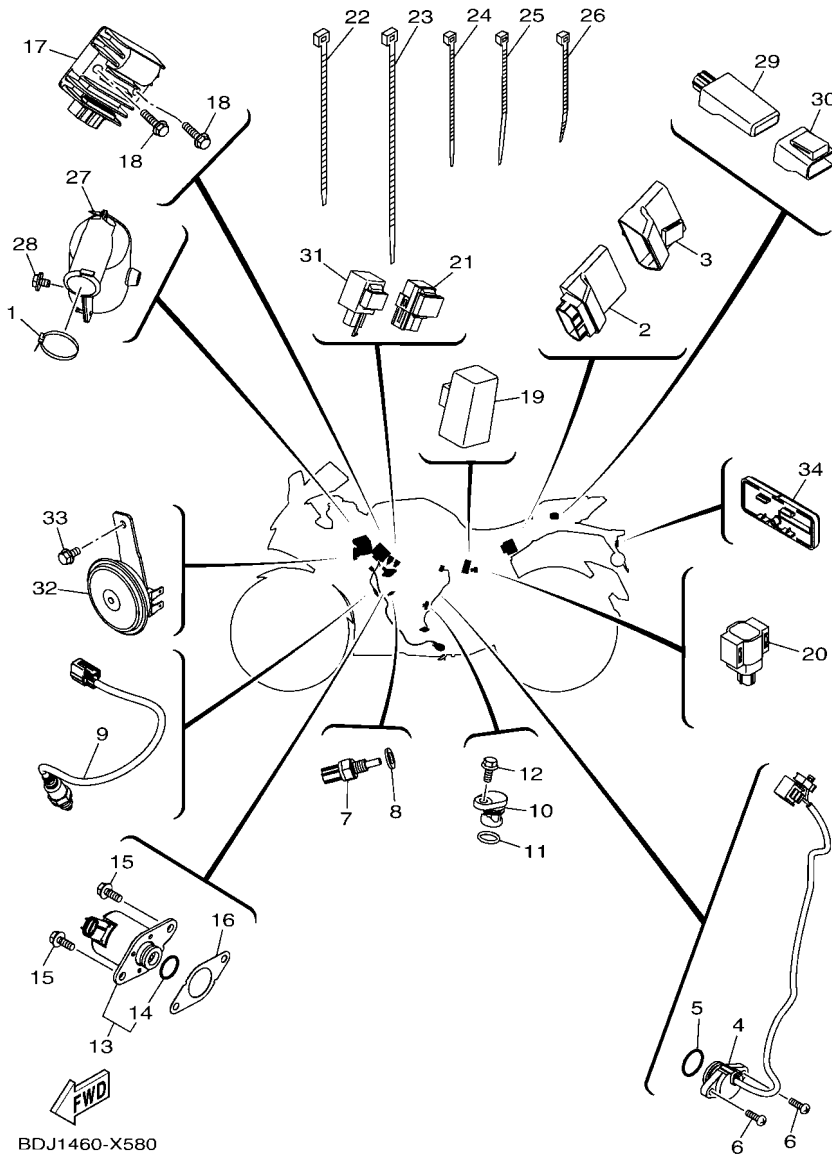


FIG. 43 ELECTRICAL 2

REF. NO.	PART NO.	DESCRIPTION	BUA2				REMARKS
28	90119-06054	BOLT, WITH WASHER	1				
29	B6Y-H5810-04	COMMUNICATION CONT. UNIT ASSY	1				
30	BDJ-H2591-00	BAND	1				
31	B3F-H3350-00	FLASHER RELAY ASSY	1				
32	B7D-H3371-00	HORN	1				
33	95D32-06012	BOLT, FLANGE DEEP RECESS	1				
34	55D-H5130-00	REAR REFLECTOR ASSY	1				

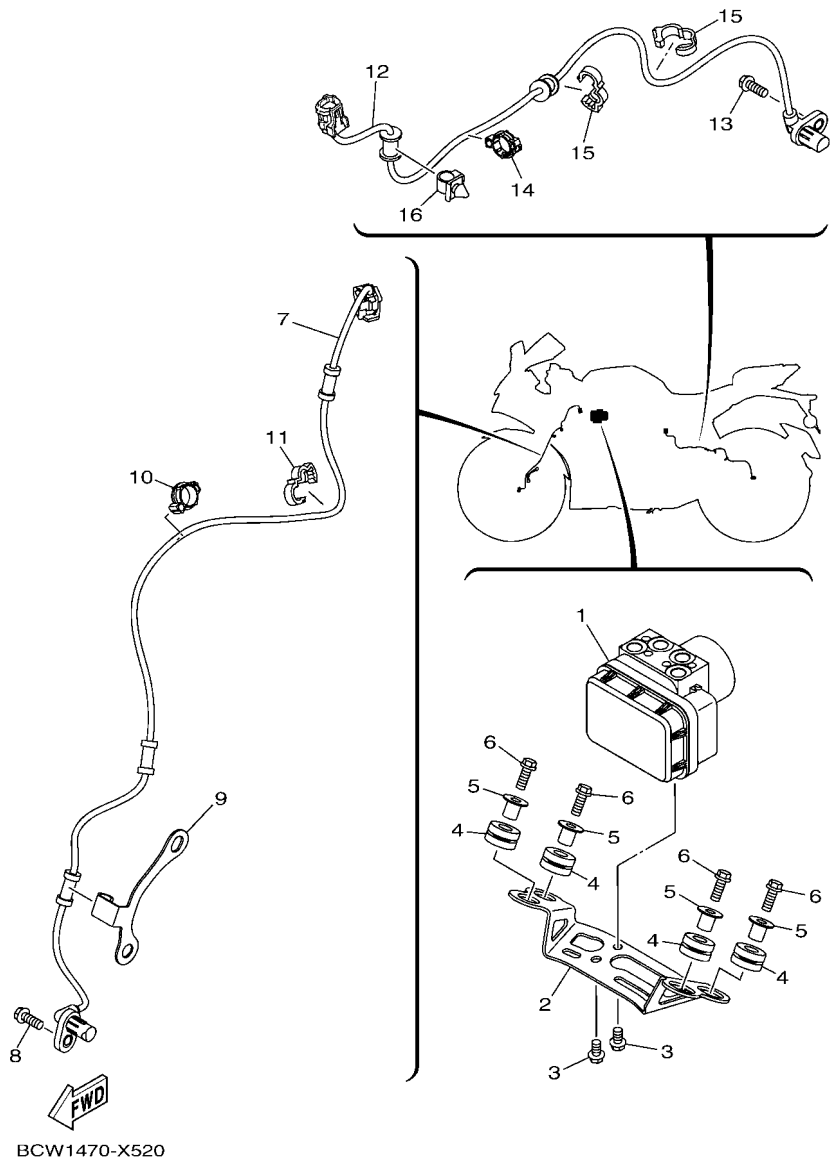


FIG. 44 ELECTRICAL 3

REF. NO.	PART NO.	DESCRIPTION	BUA2	REMARKS
1	B0T-H5930-08	HYDRAULIC UNIT ASSY	1	
2	BDJ-H5991-00	BRACKET, UNIT	1	
3	95022-06010	BOLT, FLANGE	2	
4	90480-14229	GROMMET	4	
5	90387-068N8	COLLAR	4	
6	95022-06020	BOLT, FLANGE	4	
7	B9E-H5970-01	WHEEL SENSOR ASSY, FRONT	1	
8	95022-06016	BOLT, FLANGE	1	
9	BDJ-F3318-00	WIRE, HOLDER 1	1	
10	90464-14803	CLAMP	1	
11	90464-16003	CLAMP	1	
12	B9E-H5980-01	WHEEL SENSOR ASSY, REAR	1	
13	95022-06016	BOLT, FLANGE	1	
14	90464-14803	CLAMP	1	
15	90464-16003	CLAMP	2	
16	90464-10800	CLAMP	1	

NUMERICAL INDEX

PART NO.	REF. NO.	PART NO.	REF. NO.	PART NO.	REF. NO.	PART NO.	REF. NO.	PART NO.	REF. NO.	PART NO.	REF. NO.
52S-12439-00	6 - 2	B63-E2113-00	3 - 4	BK7-E3516-00	5 - 10	BK6-E6321-00	13 - 10	3C1-F1338-00	6 - 23	BDJ-F3103-00	22 - 20
5LV-18116-10	16 - 13	2DP-E2117-00	3 - 6	BDJ-E3585-00	8 - 1	BK6-E6324-00	13 - 12	BK6-F135F-01	20 - 2	BCW-F3108-00	22 - 41
3AH-22222-00	22 - 23	5TL-E2118-00	3 - 5	BK6-E3750-00	8 - 12	BK6-E6325-00	13 - 11	BK6-F144G-10	31 - 30	BDJ-F3110-00	22 - 3
31A-23125-31	22 - 8	54P-E2119-00	3 - 3	BDJ-E3761-00	8 - 5	BK6-E6331-00	13 - 9	BK6-F1511-00-P4	18 - 1	BDJ-F3111-00	22 - 18
	22 - 30	B3M-E2121-00	3 - 2	BDJ-E3767-00	8 - 11	BK6-E6333-00	13 - 14	B17-F1568-00	23 - 51		22 - 35
31A-23149-31	22 - 7	50C-E2126-00	3 - 7	BDJ-E3770-00	8 - 4	BK6-E6337-00	13 - 17	BND-F1569-00	18 - 29	BK6-F3117-00	22 - 15
	22 - 29	BK6-E2150-00	3 - 8	BK6-E3907-00	23 - 19	3C1-E6344-00	13 - 21	B5P-F1569-D0	18 - 30	BK6-F3118-00	22 - 16
3R4-23153-00	22 - 5	B65-E2156-00	4 - 1	54P-E3915-00	23 - 20	BK6-E6345-00	13 - 25		18 - 31	BDJ-F3120-00	22 - 21
	22 - 27	B63-E2157-00	4 - 8	B7J-E3938-10	8 - 8	BK6-E6351-00	13 - 13	BDJ-F1611-00	18 - 5	BK6-F3126-10	22 - 10
4V4-23188-L0	22 - 19	B5V-E2160-01	3 - 13	BDJ-E3971-00	23 - 25	BK6-E6352-00	13 - 16	BK6-F1613-00	18 - 13		22 - 32
	22 - 36	BK6-E2166-00	3 - 9	1ST-E4137-00	8 - 9	3C1-E6356-10	13 - 19	BK6-F1617-00	18 - 11	BK6-F3141-00	22 - 14
5VC-23462-00	22 - 38	B3M-E2170-00	4 - 3	2SU-E4147-00	8 - 6	1PA-E6357-00	13 - 26	BK6-F1629-02	18 - 8		22 - 24
5XT-25802-50	28 - 5	2PV-E2210-01	4 - 16	BK6-E4199-00	8 - 2	3C1-E6358-00	13 - 18	BDJ-F162R-00	18 - 18	B48-F3144-00	22 - 4
3JD-25803-50	28 - 6	BK6-E2213-00	4 - 17	2SU-E41A1-00	8 - 7	BK6-E6371-00	13 - 7	B2S-F1641-01	18 - 22		22 - 26
5XT-25827-00	28 - 15	BK6-E2226-00	3 - 11	BK6-E4411-01	8 - 14	BK7-E6380-00	13 - 24	BDJ-F1642-00	18 - 17	BK6-F3145-00	22 - 6
3SP-25919-51	28 - 9	54P-E2228-00	4 - 14	BDJ-E4412-00	8 - 15	BK6-E6774-00	13 - 15	BK6-F1650-01	20 - 21		22 - 28
3SP-25924-51	28 - 13	B65-E2231-00	4 - 12	BK6-E441J-00	8 - 22	3C1-E7121-00	14 - 7	B92-F1668-00	20 - 26	2BU-F3158-00	22 - 12
3SP-25926-51	28 - 12	BK6-E2241-00	4 - 13	5TL-E443E-00	8 - 20	5D7-E7131-00	14 - 5	BDJ-F1711-00	19 - 1	BDJ-F3170-00	22 - 11
5BU-27234-00	32 - 9	BK6-E2256-00	4 - 15	B5G-E4450-00	8 - 16	BK6-E7151-00	14 - 2	BDJ-F171E-00	19 - 25	BK6-F3171-00	22 - 9
3WP-81980-00	42 - 13	BK6-E2279-00	3 - 12	BK6-E4452-00	8 - 18	BK6-E7161-00	14 - 6	BDJ-F171X-00	19 - 28		22 - 31
B3M-E1102-00	1 - 1	BK7-E2279-00	3 - 12	BK6-E4453-00	8 - 17	3C1-E7211-00	14 - 13	BDJ-F1721-00	19 - 7	31B-F3181-00	22 - 13
2DP-E111F-00	4 - 9	B3M-E2280-00	4 - 6	BK7-E4613-00	9 - 6	BK6-E7221-00	14 - 21	BDJ-F172G-00	34 - 30	BK6-F319U-00	22 - 25
2DP-E1133-10	1 - 2	B6H-E2288-01	4 - 7	BNC-E4703-00	9 - 1	BK6-E7231-00	14 - 19	BDJ-F172H-00	34 - 45	BK6-F330G-00	22 - 22
B3M-E1165-00	1 - 8	BK6-E2405-00	6 - 9	BDJ-E4718-10	9 - 2	BK6-E7241-00	14 - 18	BDJ-F1731-00-P2	19 - 13	BDJ-F3318-00	44 - 9
BK7-E1166-00	8 - 25	BK6-E2410-00	6 - 1	BK6-E4747-00	31 - 33	BK6-E7251-00	14 - 15	BND-F173E-00	19 - 40	BK6-F332K-00	22 - 33
2DP-E1169-00	1 - 9	BK7-E2422-00	5 - 1	2UP-E4757-00	9 - 5	5D7-E7261-00	14 - 20	BND-F173F-00	19 - 41	BK6-F3340-00	22 - 37
2DP-E1181-00	1 - 20	2DP-E2428-00	5 - 3	BDJ-E4799-00	9 - 3	BK6-E7411-00	14 - 1	BDJ-F1741-00-P2	19 - 19	BDJ-F3346-00	22 - 40
BK7-E1185-00	5 - 4	BK7-E2435-00	5 - 9	2PV-E5113-00	11 - 9	BK6-E7421-00	14 - 12	20P-F1749-00	39 - 10	BK6-F3357-00	22 - 17
BK6-E1191-00	1 - 7	BK7-E2443-00	5 - 12	BK6-E5150-00	10 - 1	1S7-E7456-00	14 - 29	BND-F174G-00	19 - 42	BK6-F3393-00	22 - 34
B3F-E1193-00	1 - 15	BK7-E2450-00	5 - 5	B9E-E5189-00	43 - 10	3C1-E7471-00	14 - 10		19 - 43	4FP-F3411-20	21 - 2
2DP-E1311-10	1 - 24	BK6-E2460-01	6 - 7	1S7-E5351-00	7 - 3	38B-E8101-00	16 - 4	BDJ-F175N-00	19 - 31	4FP-F3412-10	21 - 3
BK6-E132G-00	1 - 13	BK6-E2461-00	6 - 8	BK6-E5362-00	11 - 17	BDJ-E8110-00	16 - 9	BK7-F1817-00	19 - 34	5BP-F3416-10	21 - 5
BK6-E1351-00	1 - 25	BDJ-E2467-00	6 - 18	BK6-E5411-00	11 - 1	BDJ-E8112-00	16 - 12	BK6-F1871-00	19 - 32	1PA-F3418-00	21 - 8
BDJ-E1400-00	2 - 1	BDJ-E246E-00	6 - 24	BK6-E5418-00	11 - 10	BBS-E8113-00	16 - 10	1S7-F1875-01	19 - 33	5VL-F341E-10	21 - 4
BDJ-E1412-00	2 - 2	BK6-E2481-00	6 - 19	BK6-E5421-00	11 - 12	BDJ-E8115-00	16 - 11	BDJ-F1946-00	17 - 2	BDJ-F3435-00	21 - 9
BDJ-E1422-00	2 - 5	BK6-E2482-00	6 - 21	BK6-E5441-00	4 - 18	BK6-E8140-00	16 - 1	BK6-F2110-10	20 - 1	20P-F3469-00	29 - 5
BK7-E1454-00	2 - 21	BK6-E2483-00	6 - 4	BK6-E5451-00	11 - 2	BDJ-E8154-00	16 - 14	2PK-F2128-01	20 - 5		34 - 21
21C-E1496-20	2 - 16	5P0-E2590-00	6 - 12	BK6-E5461-00	11 - 13	BK6-E8337-00	16 - 3	BK6-F2141-00	20 - 6	5BP-F3873-01	21 - 1
BK6-E1531-10	2 - 22	BK7-E2615-00	5 - 8	B48-E5514-00	12 - 1	2ND-E8511-00	15 - 4	BK6-F2151-00	20 - 8	5BP-F3875-00	22 - 39
BK6-E1536-00	2 - 15	5YP-E2671-00	6 - 11	BK7-E5521-00	12 - 2	2ND-E8512-00	15 - 5	2PK-F217A-00	20 - 11	BDJ-F4110-00	23 - 1
BK7-E1549-00	2 - 7	5YP-E2675-00	6 - 10	2PV-E5524-10	12 - 3	2ND-E8513-00	15 - 6	2PK-F217F-00	20 - 15	BDJ-F4129-00-P2	23 - 31
BK6-E1557-00	3 - 10	BK7-E2842-00	5 - 6	2TP-E5580-00	12 - 6	1PA-E8531-00	15 - 7	BK6-F2184-00	20 - 4	BK6-F412Y-00	23 - 2
BK6-E1603-00	2 - 14	BK6-E3300-00	7 - 1	3C1-E6111-00	13 - 1	BK6-E8540-00	15 - 1	BK6-F2210-10	20 - 25	BDJ-F4139-00-P2	23 - 41
BK6-E1631-00	2 - 11	2PV-E3324-00	7 - 8	54B-E6144-00	13 - 20	5TP-E8542-00	15 - 2	BK6-F2311-01	20 - 18	BK8-F414B-00	23 - 52
2DP-E1633-00	2 - 12	3C1-E3327-00	7 - 13	BDJ-E6150-00	13 - 5	BDJ-F1110-00	17 - 1	BK6-F2327-10	17 - 9		23 - 53
BK6-E1651-00	2 - 4	38B-E3411-00	7 - 4	2ND-E6154-00	13 - 6	BDJ-F117V-00-P3	34 - 22	BK6-F247A-01	19 - 35	BDJ-F414E-00	23 - 50
BK6-E1681-00	2 - 6	38B-E3440-01	7 - 7	38B-E6193-00	13 - 2	BDJ-F117W-00-P3	34 - 37	BDJ-F3100-00	22 - 1	5D9-F414G-00	17 - 13
BK6-E2111-00	3 - 1	2PK-E3447-00	7 - 9	2ND-E6321-00	13 - 8	BDJ-F1321-00	17 - 10	BDJ-F3102-00	22 - 2	BDJ-F414G-00	23 - 40

NUMERICAL INDEX

PART NO.	REF. NO.	PART NO.	REF. NO.	PART NO.	REF. NO.	PART NO.	REF. NO.	PART NO.	REF. NO.	PART NO.	REF. NO.
1DB-F414G-01	23 - 23	BCW-F584B-00	30 - 21	BK7-F7211-00	31 - 25	BND-F8398-00	33 - 40	BDJ-H291R-00	41 - 4	B17-H4744-00	40 - 6
5D9-F414G-10	17 - 14	B9E-F584C-01	32 - 24	50C-F7222-00	32 - 4	BND-F8399-00	33 - 41	BJA-H3310-00	37 - 1	2FC-H5111-00	18 - 26
BK6-F4181-00	23 - 3	B9E-F584D-01	32 - 25	BS8-F7261-00	31 - 29	BND-F839A-00	33 - 42	55D-H3311-00	37 - 2	55D-H5130-00	43 - 34
BK8-F4188-00	23 - 15	3GM-F5852-00	30 - 3	BDJ-F7263-00	16 - 21	BND-F839E-00	33 - 43		37 - 8	BDJ-H5546-00	43 - 3
BDJ-F4191-00	23 - 8	1WD-F5852-50	32 - 11	BDJ-F7311-00	31 - 1	BND-F839F-00	33 - 44		37 - 15	BK6-H5752-00	23 - 21
BDJ-F41B1-00-P1	23 - 28	2VN-F5854-00	32 - 13	BJA-F7404-00	31 - 18	BND-F839G-00	33 - 45		37 - 22	B6Y-H5810-04	43 - 29
BK7-F4312-00	23 - 26	55U-F5854-00	30 - 5	BDJ-F7410-00	31 - 8	BND-F839J-00	33 - 46	1VP-H3318-00	37 - 13	BDJ-H591A-00	43 - 2
BK6-F4491-00	23 - 22	50C-F5855-00	32 - 12	5BP-F7411-00	31 - 10	BND-F83AR-00	34 - 61		37 - 28	2DP-H592A-20	43 - 9
BDJ-F4705-00	24 - 9	3GM-F585B-00	30 - 4	BDJ-F7411-10	31 - 43	BND-F83AS-00	33 - 48	BJA-H3320-00	37 - 7	B0T-H5930-08	44 - 1
BDJ-F4710-10	24 - 1	50C-F5866-00	32 - 6	BDJ-F742L-10	31 - 44		33 - 49	55D-H3323-00	37 - 17	B9E-H5970-01	44 - 7
5BP-F4741-00	17 - 12	18D-F5867-00	30 - 10	45P-F7431-00	31 - 35	BND-F83AT-00	23 - 54	55D-H3328-00	37 - 4	B9E-H5980-01	44 - 12
	24 - 2	BDJ-F5875-00	30 - 17	1WD-F7437-00	31 - 39	BND-F83GG-00	34 - 56		37 - 10	BDJ-H5991-00	44 - 2
	24 - 8	BDJ-F587A-00	20 - 24	45P-F7441-00	31 - 36	BND-F83GH-00	34 - 57	55D-H332M-00	37 - 24	BK6-H6110-10	43 - 13
55C-F4742-00	32 - 20	BDJ-F5886-00	32 - 29	BK6-F7442-00	31 - 7	BDJ-F8483-00	34 - 17	B2S-H3330-00	37 - 14	B97-W0045-00	26 - 13
BDJ-F4750-10	24 - 7	BDJ-F5887-00	32 - 31	BK6-F7443-00	31 - 19	BDJ-F8484-00	34 - 18	55D-H3333-00	37 - 5	54B-W0047-00	26 - 5
BDJ-F475H-00	24 - 3	50C-F5894-11	32 - 10	1WD-F7451-00	31 - 9	BK6-H1410-03	35 - 2		37 - 11	54B-W0048-00	26 - 6
BDJ-F475J-00	24 - 10	BDJ-F5895-50	32 - 15	1WD-F7461-00	31 - 20	2PV-H1450-01	35 - 1		37 - 19	54B-W0057-00	26 - 4
21C-F510C-10	25 - 2	50C-F589A-00	32 - 8	B2S-F7473-00	31 - 41	BK6-H1800-00	36 - 1		37 - 26	BK6-WF461-00	23 - 16
BC5-F5168-00-33	25 - 1	2DP-F589F-00	30 - 8	36L-F8151-11	18 - 28	2PH-H1801-10	36 - 2	55D-H333A-00	37 - 9	BDJ-XH250-00	42 - 9
2DP-F517G-00	25 - 7	54B-F5914-00	26 - 10	36L-F8152-00	24 - 12	5D9-H1828-00	36 - 5		37 - 16	90101-08006	27 - 24
	27 - 16	5HH-F5914-00	28 - 11	55C-F815P-00	17 - 15	1FD-H183G-00	36 - 3	B2S-H333E-00	37 - 18	90105-06169	23 - 6
BK6-F5181-00	25 - 10	54B-F5916-00	26 - 16	BDJ-F8164-00	24 - 13	BK6-H1847-00	43 - 14	B2S-H3340-00	37 - 21		23 - 11
1CK-F5186-00	25 - 9	54B-F5917-00	26 - 8	BDJ-F8283-00	19 - 38	5D9-H1861-00	36 - 4	55D-H334A-00	37 - 3	90105-08002	34 - 13
B97-F530S-00	27 - 2	5HH-F5917-00	28 - 8	BDJ-F8284-00	19 - 39	BK6-H1861-00	43 - 16		37 - 23	90105-088H9	1 - 17
BC5-F5338-00-33	27 - 1	54B-F5919-00	26 - 12	BND-F832B-00	34 - 58	5TP-H1940-01	43 - 19	B2S-H334E-00	37 - 25	90105-088J0	1 - 16
B97-F5364-00	27 - 5	54B-F5924-00	26 - 14	BND-F832C-00	34 - 59	BK6-H1950-00	43 - 21	B3F-H3350-00	43 - 31	90105-10006	21 - 11
BK6-F5366-01	27 - 6	54B-F5925-00	26 - 15	BND-F832D-00	34 - 60	BK6-H1960-00	43 - 17	55D-H3358-00	37 - 6	90105-10886	17 - 7
B97-F5376-00	27 - 9	54B-F5926-00	26 - 11	BND-F832K-00	33 - 47	BBM-H2100-00	42 - 5		37 - 12	90105-10887	20 - 14
B97-F5377-00	27 - 19	54B-F5937-00	26 - 7	28D-F834E-00	18 - 9	BDJ-H2115-00	42 - 7		37 - 20	90105-108B7	17 - 6
5BP-F5381-00	27 - 18	5HH-F5937-00	28 - 7	BDJ-F8351-00-P2	34 - 3	3C1-H2131-00	39 - 12		37 - 27	90105-108B9	31 - 3
B97-F5383-00	27 - 20	54B-F5939-00	26 - 9	BDJ-F8356-00	34 - 12	BDJ-H2131-00	42 - 6	B7D-H3371-00	43 - 32	90109-05014	23 - 35
1CK-F5388-00	27 - 23	BK6-F6121-00	29 - 1	BDJ-F835G-00	34 - 6	1WD-H2133-00	41 - 2	BDJ-H3500-01	38 - 1		23 - 45
BK6-F5414-00	27 - 13	BK6-F6122-00	29 - 2	BDJ-F835U-00-P0	33 - 1	B65-H2151-10	42 - 15	BDJ-H3519-00	38 - 5		38 - 10
BK6-F5448-00	27 - 10	1S7-F622F-00	29 - 11	BDJ-F835V-00-P0	33 - 5	B65-H2151-60	42 - 14	BDJ-H3559-00	38 - 7	90109-06220	18 - 20
B97-F5806-00	28 - 4	1S7-F622H-00	29 - 10	B6H-F8368-10	23 - 55	B65-H2151-80	42 - 16	52B-H3591-00	43 - 7		19 - 37
2DP-F5807-10	30 - 2	BK7-F6240-01	29 - 6	BDJ-F836K-00	33 - 27	BDJ-H2155-00	16 - 22	2TP-H3912-00	41 - 6	90109-06279	16 - 2
B5G-F5808-00	32 - 2	20P-F6241-01	29 - 7	BDJ-F836L-00	33 - 32	BDJ-H2310-00	42 - 1	3KA-H3913-00	41 - 7	90109-068B2	23 - 30
BDJ-F580A-00	30 - 1	BK7-F6246-00	29 - 8	BDJ-F836M-00	33 - 37	BK6-H2370-00	42 - 4	BDJ-H3922-00	30 - 7	90109-068C6	19 - 17
BCW-F580U-00	26 - 3	1S7-F6257-00	29 - 9	BDJ-F837L-00	33 - 9	20P-H246B-03	43 - 27	3KA-H3945-00	41 - 9		19 - 23
BDJ-F580W-00	28 - 3	50C-F6259-00	32 - 21	BDJ-F837M-00	33 - 11	BCW-H2470-00	16 - 19	BK6-H395W-00	41 - 3	90109-086F8	31 - 14
5HH-F5824-00	28 - 10	BK7-F6280-00	34 - 15	BDJ-F8381-00	34 - 1	BDJ-H252E-00	42 - 8	BK6-H3972-00	41 - 1		31 - 21
5HH-F5825-51	28 - 14	BK7-F6290-00	34 - 16	BDJ-F8385-00-P2	33 - 13	BJA-H2530-00	42 - 11	2LP-H3980-10	30 - 12	90110-05806	23 - 17
50C-F582A-50	32 - 5	BK6-F6311-00	29 - 13	BCW-F838E-00	39 - 2	BK6-H2540-01	43 - 4	BCW-H4300-01	39 - 1	90110-06177	16 - 17
BDJ-F582E-00	31 - 45	BK6-F6312-00	29 - 14	BND-F8391-00	34 - 52	1PA-H2576-00	43 - 20	BDJ-H4301-00	39 - 13	90110-06215	19 - 16
B97-F582J-00	26 - 1	BDJ-F6315-00	29 - 15	BND-F8392-00	34 - 53	BDJ-H2590-00	42 - 12	BDJ-H4302-00	39 - 17		19 - 22
B97-F582W-00	28 - 1	5HH-F6332-00	30 - 11	BND-F8393-00	34 - 54	BDJ-H2591-00	43 - 30	BJA-H4547-00	40 - 5		23 - 12
BDJ-F583V-00	32 - 1	BK6-F6335-00	29 - 17	BND-F8394-00	34 - 55	3KA-H2911-00	41 - 5	BK7-H4710-00	40 - 1	90110-06245	24 - 5
B9E-F584A-00	30 - 19	3RS-F6372-00	29 - 18	BDJ-F8395-00-P2	33 - 20	5BP-H2917-00	41 - 8	BJA-H4740-00	40 - 4	90110-06846	8 - 13

NUMERICAL INDEX

PART NO.	REF. NO.	PART NO.	REF. NO.	PART NO.	REF. NO.	PART NO.	REF. NO.	PART NO.	REF. NO.	PART NO.	REF. NO.
90110-06873	12 - 7	90179-05849	34 - 2	90201-173U5	31 - 16	90387-06899	34 - 27	90467-20804	8 - 23	91317-06020	29 - 4
90110-06894	1 - 23	90179-06841	33 - 19	90201-22793	14 - 22		34 - 42	90467-20806	6 - 6	91317-06030	29 - 12
90110-08803	31 - 17		33 - 26	90201-25290	12 - 5	90387-068B2	23 - 5	90480-01558	23 - 27		34 - 19
	31 - 34	90179-08148	41 - 13	90202-05180	23 - 38		23 - 10	90480-01559	19 - 3	91317-08020	29 - 3
90110-08839	23 - 7	90179-10805	17 - 8		23 - 48	90387-068C5	17 - 4		19 - 9	91332-05010	23 - 18
90110-10025	31 - 15		20 - 16	90202-26142	21 - 7	90387-068N8	44 - 5		34 - 25		23 - 24
90111-05016	19 - 18	90179-12808	13 - 4	90208-20003	13 - 31	90387-068S1	20 - 9		34 - 40	91332-06016	35 - 4
	19 - 24	90179-25615	21 - 6	90209-10020	21 - 12		20 - 20		38 - 8	91332-06020	8 - 3
90111-05822	7 - 2	90183-05076	19 - 26	90209-17285	14 - 3		20 - 23	90480-01803	6 - 17	91332-06025	35 - 3
90111-06137	18 - 4	90183-050A7	18 - 10	90209-18208	14 - 16	90387-068T1	18 - 2	90480-01811	39 - 9	91337-08030	21 - 10
90111-06177	42 - 10	90183-05807	19 - 14	90214-10800	2 - 18	90387-06M30	42 - 3	90480-12805	18 - 3	91401-20012	32 - 18
90111-06859	33 - 4		19 - 20	90215-10803	2 - 27	90387-08842	31 - 32		19 - 2	91401-25015	31 - 13
	33 - 8		23 - 29	90215-14802	13 - 22	90387-10003	31 - 4		19 - 8		31 - 24
90111-06860	9 - 4		24 - 6	90240-08005	32 - 16	90387-10814	20 - 13		23 - 32		31 - 42
90111-08089	26 - 2		33 - 3	90240-08145	31 - 23	90387-10866	19 - 15		23 - 42	91701-08035	31 - 12
	28 - 2		33 - 7	90269-06813	18 - 7		19 - 21		33 - 16	91701-08042	31 - 40
90116-08846	27 - 11		33 - 15		18 - 14	90387-15810	2 - 23		33 - 23	92012-06010	31 - 31
90119-05022	18 - 15		33 - 22		18 - 21	90387-17804	14 - 14		34 - 26	92012-06016	20 - 10
90119-06051	8 - 24		33 - 28		19 - 30	90401-10830	30 - 15		34 - 41		20 - 19
90119-06054	43 - 28		33 - 33		33 - 10		32 - 26	90480-13398	34 - 7		20 - 22
90119-06810	17 - 5		34 - 4		33 - 12	90430-06803	1 - 5		34 - 35	92012-08020	32 - 19
90123-08046	41 - 14		34 - 8		33 - 31		1 - 27		34 - 50	93101-10843	11 - 19
90149-05029	25 - 8		34 - 24		33 - 36	90430-10806	43 - 8	90480-13567	17 - 3	93102-08800	1 - 14
	27 - 17		34 - 34		33 - 39	90445-19807	31 - 28		34 - 14	93102-12862	13 - 29
90149-05801	1 - 10		34 - 39		34 - 33	90445-21848	31 - 6		34 - 32	93102-12891	16 - 8
90149-06829	19 - 6		34 - 49		34 - 48	90450-27806	6 - 20		34 - 47	93102-22827	14 - 27
	19 - 12		39 - 4		38 - 9		6 - 22	90480-14229	44 - 4	93103-10801	5 - 2
	33 - 18		40 - 2	90269-06816	39 - 3	90450-43805	8 - 28	90480-14816	38 - 4	93106-17801	20 - 17
	33 - 25	90183-06818	34 - 23	90280-03017	2 - 10	90464-06101	32 - 28		39 - 6	93106-22808	25 - 3
	34 - 28		34 - 38	90282-05031	2 - 26	90464-07018	33 - 2		39 - 14		27 - 4
	34 - 43	90201-05036	38 - 2	90338-06018	33 - 29		33 - 6		39 - 18	93106-26815	27 - 8
	39 - 11		39 - 7		33 - 34	90464-10800	44 - 16	90480-15363	6 - 13	93210-09806	4 - 4
90149-08220	9 - 9		39 - 16		34 - 36	90464-14803	44 - 10		23 - 4	93210-108H5	41 - 15
90149-10065	26 - 17		39 - 20		34 - 51		44 - 14		23 - 9	93210-148F8	11 - 6
90150-05024	34 - 5	90201-06078	18 - 25	90338-09803	30 - 14	90464-16003	44 - 11	90501-06022	15 - 3	93210-15620	32 - 7
90151-03005	41 - 10	90201-06828	32 - 22	90340-12813	1 - 3		44 - 15	90501-06800	15 - 8	93210-15806	43 - 11
90159-05011	23 - 34	90201-06880	6 - 15	90340-14824	11 - 5	90464-22800	43 - 26	90501-12743	31 - 37	93210-19809	5 - 14
	23 - 44	90201-08066	32 - 17	90340-32823	11 - 7	90464-36005	43 - 1	90501-16800	2 - 19		11 - 18
90159-06817	18 - 6	90201-08612	9 - 8	90387-06131	34 - 20		43 - 25	90501-18576	7 - 5	93210-21801	43 - 5
90160-05812	19 - 4	90201-08859	1 - 18	90387-06322	16 - 20	90464-36800	43 - 24	90506-26807	31 - 26	93210-26805	36 - 6
	19 - 10	90201-10021	31 - 27	90387-064W3	6 - 16	90464-50800	43 - 22	90506-28800	31 - 2	93210-32816	11 - 8
	23 - 37	90201-10118	30 - 16	90387-066J9	18 - 12	90464-70800	43 - 23	90508-183B9	31 - 11	93210-34802	7 - 6
	23 - 47		32 - 27	90387-06899	19 - 5	90467-08003	19 - 36	90508-184B0	31 - 22	93210-39803	5 - 11
90170-06228	16 - 15	90201-12019	13 - 3		19 - 11	90467-11825	8 - 27	90508-32837	16 - 5	93210-54805	7 - 12
90170-10012	2 - 28		35 - 6		23 - 33	90467-12052	8 - 26	90520-02012	23 - 14	93306-000Y3	5 - 7
90170-14801	13 - 23	90201-15814	27 - 22		23 - 43	90467-12085	32 - 14	90520-02806	23 - 13	93306-001YJ	4 - 5
90173-06806	18 - 19	90201-15821	2 - 17		33 - 17	90467-12800	8 - 21	90520-05838	34 - 11	93306-054XC	27 - 7
90179-04579	40 - 8	90201-173F4	14 - 24		33 - 24	90467-19803	6 - 5	91312-05016	4 - 2	93306-054XF	14 - 8

NUMERICAL INDEX

PART NO.	REF. NO.	PART NO.	REF. NO.	PART NO.	REF. NO.	PART NO.	REF. NO.	PART NO.	REF. NO.	PART NO.	REF. NO.
93306-203XK	2 - 24	95602-06200	18 - 16	97702-50012	23 - 49						
	2 - 25	95602-08200	27 - 12		34 - 29						
93306-252YN	14 - 9	95602-10200	31 - 5		34 - 44						
93306-252YP	25 - 4	95602-12200	20 - 7	97702-50014	38 - 3						
	27 - 3	95602-14200	25 - 11	97702-50016	34 - 9						
93306-253X2	14 - 25		27 - 21		34 - 31						
93306-272YC	14 - 26	95607-06100	18 - 24		34 - 46						
93306-305X7	2 - 8	95607-06200	24 - 4		39 - 8						
93306-305XV	2 - 9	95612-08618	1 - 6		39 - 15						
93310-325YC	12 - 4	95702-08500	9 - 7		39 - 19						
93310-526YT	2 - 3	95702-12500	35 - 5	97707-50012	19 - 29						
93315-112Y8	13 - 28	95707-05500	18 - 27	97707-50016	19 - 27						
93315-317Y1	20 - 12	95812-06014	43 - 12		33 - 14						
93317-218Y1	20 - 3	95812-06025	8 - 10		33 - 21						
93410-20038	14 - 4	95817-08045	31 - 46		33 - 30						
93410-22039	14 - 17	95D02-06025	43 - 18		33 - 35						
	14 - 23	95D32-06010	38 - 6		33 - 38						
93450-16115	2 - 13	95D32-06012	43 - 33		34 - 10						
93501-04830	31 - 38	95D32-06016	43 - 15		39 - 5						
93505-16844	13 - 27	95D32-06025	6 - 14		40 - 3						
93604-08071	2 - 20	95E32-06010	1 - 4	97707-50025	8 - 19						
93608-30839	16 - 7		1 - 26	98502-05016	43 - 6						
93822-14800	14 - 28		17 - 11	98507-05012	29 - 16						
93900-00824	25 - 6	95E32-06012	7 - 14	98507-06025	32 - 23						
	27 - 15		42 - 17	98512-06012	14 - 11						
94110-17823	25 - 5	95E32-06014	4 - 10	98707-04012	30 - 6						
94114-17802	27 - 14	95E32-06016	11 - 11	98907-04020	40 - 7						
94568-J9096	4 - 11	95E32-06020	6 - 3	99001-10600	16 - 6						
94700-00439	1 - 19		7 - 10	99009-20500	13 - 30						
95022-06010	14 - 30	95E32-06025	4 - 19	99530-08012	1 - 12						
	44 - 3		5 - 13	99530-10114	1 - 21						
95022-06012	32 - 30	95E32-06030	1 - 11		1 - 22						
	32 - 33	95E32-06040	10 - 6		10 - 2						
95022-06014	18 - 23		11 - 4		11 - 3						
95022-06016	44 - 8		11 - 15		11 - 14						
	44 - 13	95E32-06045	10 - 4	9X568-K1127	27 - 26						
95022-06020	44 - 6	95E32-06050	11 - 16								
95022-06025	30 - 20	95E32-06055	10 - 3								
	30 - 22	95E32-06070	10 - 5								
95022-06030	32 - 32	95E32-06080	7 - 11								
95022-08012	24 - 11	95E32-06090	11 - 20								
95027-06025	30 - 18	97012-06020	16 - 23								
95302-06600	16 - 18	97080-06020	42 - 2								
95302-08700	27 - 25	97507-06525	41 - 12								
	32 - 3	97602-04312	30 - 13								
95304-06700	16 - 16	97702-50012	23 - 36								
95602-06100	30 - 9		23 - 39								
	41 - 11		23 - 46								